

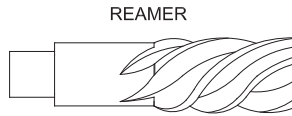


ACCESSORIES, REAMERS, WATER HOSE, HOSE CONNECTOR, HOSE COUPLING & HOSE CLAMP

REAMERS

High speed steel reamers to rework worn tapers in holders are available for standard 4, 5, 6, 7 RW, and 4, 5, 6 RW cap tapers. Hollow reamers make it possible to recondition worn holder tapers without removing the water tubes.

Reamer Part No.	Taper Type	Type
18-1321	6 RW	Hollow
18-1322	4 RW	Not Hollow
18-1323	5 RW	Hollow
18-1324	7 RW	Hollow
18-1327	4 RW (Cap taper)	Not Hollow
18-1328	5 RW (Cap taper)	Not Hollow
18-1329	6 RW (Cap taper)	Not Hollow



WATER COOLING HOSE (PART NUMBER 18-1350)

CMW water-cooling hose is the finest available. Made by a prominent hose manufacturer. This hose is 3/8 diameter which properly fits the water nipples on CMW holders. It is available in 50-foot coils or can be cut to length.

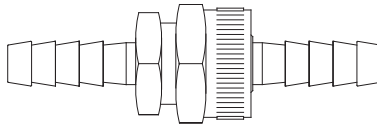
COOLING-WATER HOSE 18-1350



HOSE CONNECTOR FOR 3/8 HOSE (PART NUMBER 18-1351)

This hose connector, placed in water-cooling hose line, facilitates quick change of holders or dies. The male and female ends of these connectors should be reversed in the inlet and outlet lines to eliminate confusion in changing setups.

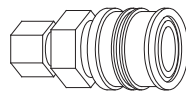
HOSE CONNECTOR



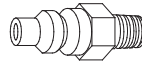
QUICK CONNECTIVE COUPLING ASSEMBLY (PART NUMBER 18-1352)

HOSE COUPLING

The plug of this coupling can be mounted on CMW holders converting them for quick hose changes. An automatic water shut-off valve is built into the coupling.



FEMALE SOCKET
(1/8 FEMALE PIPE THREAD)
18-135200-1



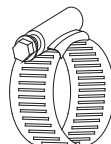
MALE PLUG
(1/8 MALE PIPE THREAD)
18-135200-2



HOSE CLAMP (PART NUMBER 18-1353)

HOSE CLAMP

This aircraft type hose clamp gives positive tightening action which eliminates water leakage. It is easy to install and remove from standard 3/8 water hose.





CAP ELECTRODE EXTRACTOR FORK

CAP ELECTRODE EXTRACTOR FORK
PART NO. 18-1381-1 FOR 5 RW CAPS
PART NO. 18-1381-2 FOR 4 RW CAPS
PART NO. 18-1381-3 FOR 6 RW CAPS

These hardened steel wedge type forks will make the removal of electrodes caps quick and easy. They can be used on both male and female caps.



AIR POWERED ELECTRODE EXTRACTOR

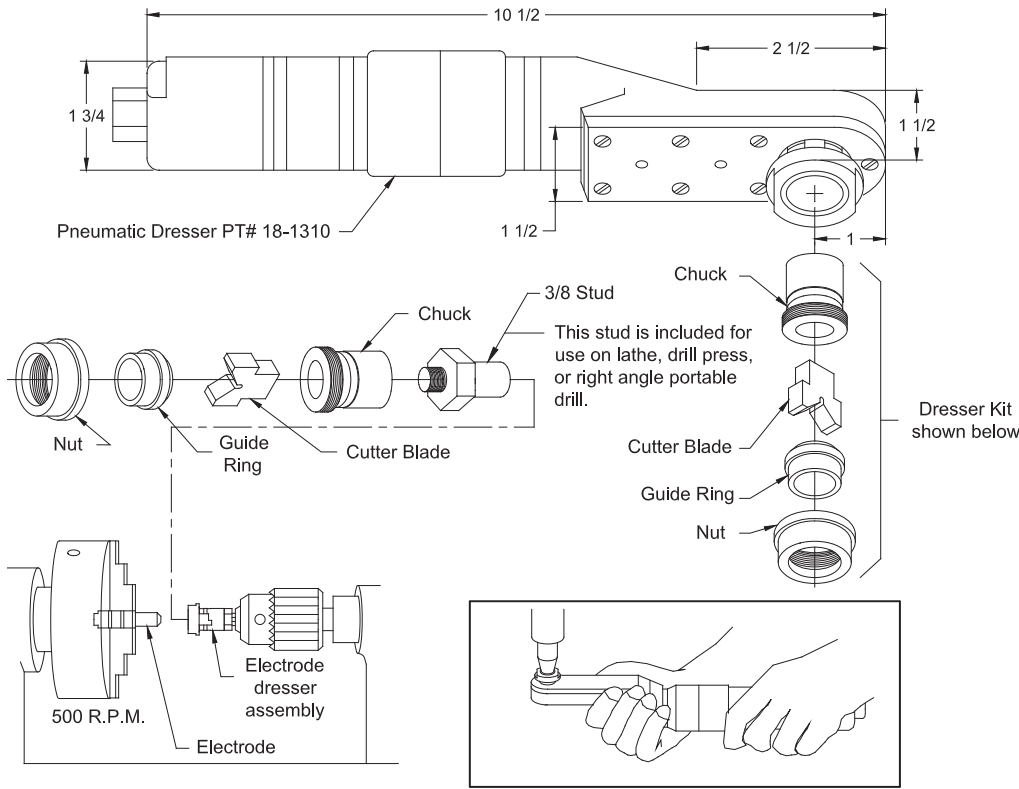
AIR POWERED ELECTRODE EXTRACTOR
PART NO. 18-1382-1 FOR 6 RW ELECTRODES
PART NO. 18-1382-3 FOR 5 RW ELECTRODES

This high quality air powered electrode extractor comes in two standard sizes for extracting 5 RW and 6 RW male and female cap and standard straight electrodes. Air pressure recommendations suggested between 85 PSI minimum and 100 PSI maximum. Ideal pressure is 90 PSI. Standard 3/8 diameter air nipple and quick change plug included with extractor.





PNEUMATIC POWER HANDLE ELECTRODE DRESSER PART NO. 18-1310



Light weight and rugged construction, this CMW Pneumatic Power Handle requires a clearance of only 1-1/2" with a standard ring and 2" with an extended ring. In most situations this allows dressing of electrodes without removal from the welder. Operating at a cutting speed of 1200 rpm, it enables the operator to dress electrodes quickly and accurately. Cutters and guide rings are easily replaced. These must be matched to the electrode nose and are selected from the chart below.

CMW Electrode Dresser 18-1310 is supplied without blade holder, ring, and cutter blade. When ordering, specify the "Kit" appropriate for your dressing needs as selected from the table below. "The stud" furnished with the kit is not required when using the Pneumatic Power Handle. It may optionally be used, but will increase the clearance required on the welder for dressing. Additional special cutters can be furnished upon special request.

These kits may also be used for cap electrode dressing.

Size To Dress									
4 RW .482 Dia	Nose style CMW Electrode No.	Dome x11x..	Pointed x21x..	Flat x31x..	2" Radius x51x..	3" Radius x81x..	4" Radius x91x..	10" Radius x61x..	Truncated x71x..
	Kit to Order**	18-1390411	18-1390420	18-1390410	18-1390413	18-1390414	18-1390415	18-1390416	18-1390412
	Replacement Blade Replacement Guide Ring (Each for above kit)	18-139411 18-139401	18-139420 18-139402	18-139410 18-139401	18-139413 18-139401	18-139414 18-139401	18-139415 18-139401	18-139416 18-139401	18-139412 18-139401
5 RW .625 Dia	CMW Electrode No.	x12x..	x22x..	x32x..	x52x..	x82x..	x92x..	x62x..	x72x..
	Kit to Order**	18-1390511	18-1390520	18-1390510	18-1390513	18-1390514	18-1390515	18-1390516	18-1390512
	Replacement Blade Replacement Guide Ring (Each for above kit)	18-139511 18-139501	18-139520 18-139502	18-139510 18-139501	18-139513 18-139501	18-139514 18-139501	18-139515 18-139501	18-139516 18-139501	18-139512 18-139501

** Note: This kit includes Stud for (for 3/8 Keyed Chuck), Chuck, 1 Guide Ring, 1 Appropriate blade, and Retaining Nut.

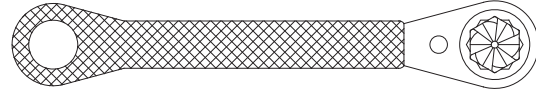
Note: Cutters are **NOT** designed to conform to "Electrode Cap" geometries. Caps are intended for value salvage when expended.



ELECTRODE DRESSER PART NUMBER 18-1307

ELECTRODE DRESSER PART NUMBER 18-1307

The Electrode Dresser quickly removes the "mushroomed" portions of spot welding electrodes and **renews 4 RW or 5 RW taper, dome or pointed electrodes with the proper operating contour.** The Electrode Dresser re-machines both upper and lower electrodes to the correct profile "On The Job" - provided both are identical - without removal of the electrodes from their holders. Dresser is 10" long, with a replaceable cutter of hardened tool steel.



ORDER REPLACEMENT CUTTERS - 18-130701
 ORDER REPLACEMENT HANDLE - 18-130702

ELECTRODE DRESSER PART NUMBER 18-1370

ELECTRODE DRESSER PART NUMBER 18-1370

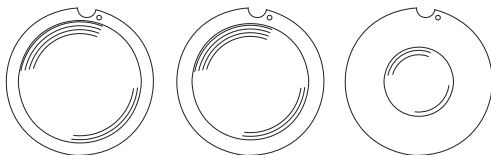
In certified resistance welding and where clean, strong welds are necessary on a production basis the Maintain-A-Contour Dresser pays big dividends. Its use not only assures consistent quality welds in aircraft metals, but saves valuable production time in all dressing operations.

The Maintain-A-Contour Dresser is supplied with a spool of 240 grit cloth, and one set of (2 per set) precision ground contour plates. **Specify the size radius (2" - 3" - 4" - 6" - 8" - 10") plates required.**

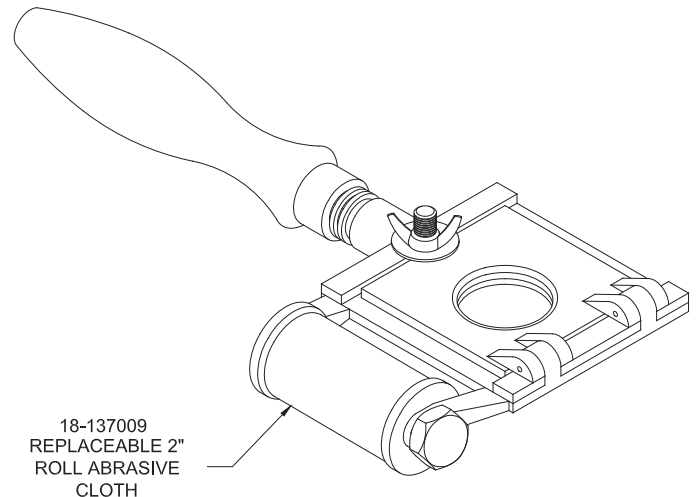
Plates with special radii are available on special request. The abrasive cloth is standard 2" wide.



PRECISION GROUND CONTOUR PLATES

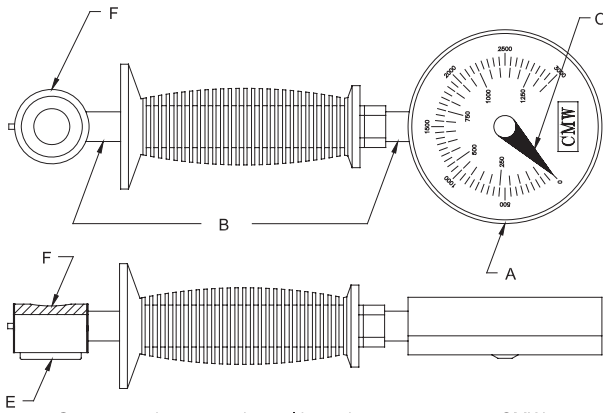


Dresser Part No.	Spherical Radius of Contour Plate	Use With	
		Contour Plates	Abrasive Cloth
18-1370	2"	18-137001	18-137009
	3"	18-137002	
	4"	18-137003	
	6"	18-137004	
	8"	18-137005	
	10"	18-137006	





FORCE GAUGE



Gauge may be repaired or calibrated upon returning to CMW.

APPROXIMATE PRESSURE EXERTED BY AIR CYLINDER SIZE

Diameter Inches	Cylinder area Sq. In				
4	= 12.5	X	Welder	=	Electrode
5	= 19.5	X	Gauge	=	Force
6	= 28.0	X	Pressure	=	Pressure
8	= 50.0	X		=	

FEATURES AND SPECIFICATIONS

- Dependable, accurate, and fast
- 1% accuracy at 50% of scale reading
- Available in all popular ranges
- Standard and Deluxe gauges leave measurement after test.
- Certifiable

USE WITH

- Press type welding machines
- Rocker type welding machines

ORDERING INFORMATION AND DIMENSIONS

Part Number	Gauge Type	Sensor A	Connection B	Force Range C	Live D	Pad E	Rear Pad (Optional) F
LC2564-73	STANDARD	LC2	LC25	LC2564	LC2564-7	LC2564-73	-
LC2164-7391	DELUXE	LC2	LC21	LC2164	LC2164-7	LC2164-73	LC2164-7391
LC8568-73	DIGITAL	LC8	LC85	LC8568	LC8568-7	LC8568-73	-

CREATE GAUGE NUMBER FROM BUILD A FORCE GAUGE OPTIONS BELOW FOR GAUGE TO SUIT YOUR NEEDS

LC = Load Cell Sensor A	Connection B	Force Range C	Live D	Pad E	Rear Pad (Optional) F
1= CUSHIONED SENSOR	1 = FLEX/SW 15° 11" OAL *	5 2 = 300	7	1 = FLAT POLY	9 1 = FLAT*
2 = 2.5 W/POINTER ^ *	2 = FLEX/SW 90° 15" OAL	5 6 = 600	7	2 = FLAT SS	
3 = 4.0 W/O POINTER	3 = FLEX/SW 180° 19" OAL	6 0 = 1000	7	3 = 3/4" LOCATOR POLY ^ *	
4 = 4.0 W/POINTER	4 =	6 4 = 2000 ^ *	7	4 = 3/4" LOCATOR SS	
5 = 4.5 PROCESS	5 = STANDARD 5" GRIP ^	6 6 = 3000	7	5 = 5" RADIUS POLY	
6 = 4.5 W/POINTER	6 = 6" O.A. W/O GRIP	6 8 = 5000 ¹	7	6 = 5" RADIUS SS	
7 = CUSTOM	7 = UNDER 7" O.A.	7 2 = 10000 ²	7	7 = THIN (LOW PROFILE)	
8 = DIGITAL	8 = SWIVEL ONLY	¹ MUST ADD SS LIVE PAD	7	8 = THIN (POLY)	
9 =	9 =	² SS LIVE PAD AND FLAT REAR PAD	7	9 = THIN (SS)	

^ = STOCK STANDARD GAUGE * = STOCK DELUXE GAUGE