

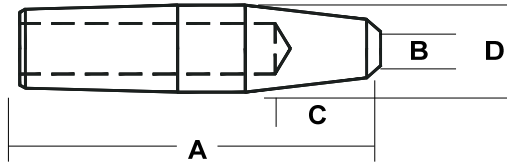


SPOTWELD, INC.

Excellence in Resistance Welding

POINTED ELECTRODES

POINTED



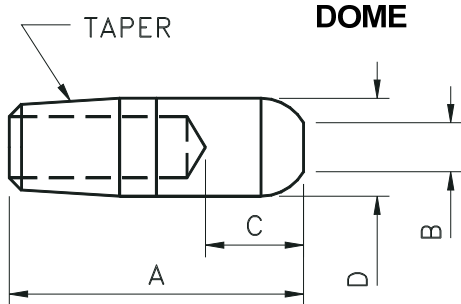
EXAMPLE OF PART CODING:			
TIP/ALLOY		R.W.M.A.	
D	= POINTED NOSE	B	= "B" NOSE
2	= #5RW TAPER	02	= CLASS 2 COPPER
250	= 2.50" LONG	5	= #5RW TAPER
		10	= LENGTH IN 1/4"

	CLASS 2		CLASS 1		CLASS 3		OVERALL LENGTH	WELD FACE	FACE TO WATER	MAJOR DIA.
	#130	RWMA	#100	RWMA	#200	RWMA	A	DIA.	HOLE	D
TAPER	CODE	CODE #	CODE	CODE #	CODE	CODE #		B	C	
	P1-100	A02404	P1-100-100	A01404	-	-	1			
	P1-125	A02405	P1-125-100	A01405	P1-125-200	A03405	1-1/4			
	P1-150	A02406	P1-150-100	A01406	P1-150-200	A03406	1-1/2			
4 RW	P1-175	A02407	P1-175-100	A01407	P1-175-200	A03407	1-3/4			
OR	P1-200	A02408	P1-200-100	A01408	P1-200-200	A03408	2			
# 1MT	P1-225	A02409	P1-225-100	A01409	P1-225-200	A03409	2-1/4	3/16	1/2	.482
	P1-250	A02410	P1-250-100	A01410	P1-250-200	A03410	2-1/2			OR
	P1-275	A02411	P1-275-100	A01411	P1-275-200	A03411	2-3/4			.500
	P1-300	A02412	P1-300-100	A01412	P1-300-200	A03412	3			
	P1-325	A02413	P1-325-100	A01413	P1-325-200	A03413	3-1/4			
	P1-350	A02414	P1-350-100	A01414	P1-350-200	A03414	3-1/2			
	P1-375	A02415	P1-375-100	A01415	P1-375-200	A03415	3-3/4			
	P1-400	A02416	P1-400-100	A01416	P1-400-200	A03416	4			
	P2-125	A02505	P2-125-100	A01505	P2-125-200	A03505	1-1/4			
	P2-150	A02506	P2-150-100	A01506	P2-150-200	A03506	1-1/2			
	P2-175	A02507	P2-175-100	A01507	P2-175-200	A03507	1-3/4			
	P2-200	A02508	P2-200-100	A01508	P2-200-200	A03508	2			
5 RW	P2-225	A02509	P2-225-100	A01509	P2-225-200	A03509	2-1/4			
OR	P2-250	A02510	P2-250-100	A01510	P2-250-200	A03510	2-1/2	1/4	3/4	.625
# 2MT	P2-275	A02511	P2-275-100	A01511	P2-275-200	A03511	2-3/4			
	P2-300	A02512	P2-300-100	A01512	P2-300-200	A03512	3			
	P2-325	A02513	P2-325-100	A01513	P2-325-200	A03513	3-1/4			
	P2-350	A02514	P2-350-100	A01514	P2-350-200	A03514	3-1/2			
	P2-375	A02515	P2-375-100	A01515	P2-375-200	A03515	3-3/4			
	P2-400	A02516	P2-400-100	A01516	P2-400-200	A03516	4			
	P6-200	A02608	P6-200-100	A01608	P6-200-200	A03608	2			
6 RW	P6-250	A02610	P6-250-100	A01610	P6-250-200	A03610	2-1/2	9/32	3/4	.750
	P6-300	A02612	P6-300-100	A01612	P6-300-200	A03612	3			
	P3-200	A02708	P3-200-100	A01708	P3-200-200	A03708	2			
7 RW	P3-250	A02710	P3-250-100	A01710	P3-250-200	A03710	2-1/2	5/16	3/4	.875
OR	P3-300	A02712	P3-300-100	A01712	P3-300-200	A03712	3			
# 3MT	P3-400	A02716	P3-400-100	A01716	P3-400-200	A03716	4			



SPOTWELD, INC.

Excellence in Resistance Welding



EXAMPLE OF PART CODING:			
TIP ALLOY		R.W.M.A.	
0	= POINTED NOSE	D	= "D" NOSE
2	= #5RW TAPER	02	= CLASS 2 COPPER
250	= 2.50" LONG	5	= #5RW TAPER
		10	= LENGTH IN 1/4"

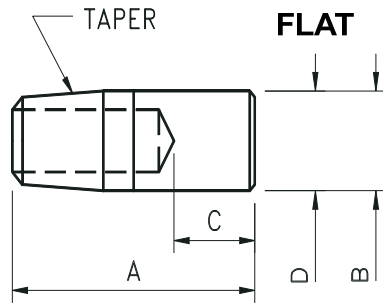
TAPER	CLASS 2		CLASS 1		CLASS 3		OVERALL LENGTH A	WELD FACE DIA. B	FACE TO WATER HOLE C	MAJOR DIA. D
	#130 CODE	RWMA CODE #	#100 CODE	RWMA CODE #	#200 CODE	RWMA CODE #				
4 RW OR # 1MT	P1-100	A02404	P1-100-100	A01404	-	-	1	3/16	1/2	.482 OR .500
	P1-125	A02405	P1-125-100	A01405	P1-125-200	A03405	1-1/4			
	P1-150	A02406	P1-150-100	A01406	P1-150-200	A03406	1-1/2			
	P1-175	A02407	P1-175-100	A01407	P1-175-200	A03407	1-3/4			
	P1-200	A02408	P1-200-100	A01408	P1-200-200	A03408	2			
	P1-225	A02409	P1-225-100	A01409	P1-225-200	A03409	2-1/4			
	P1-250	A02410	P1-250-100	A01410	P1-250-200	A03410	2-1/2			
	P1-275	A02411	P1-275-100	A01411	P1-275-200	A03411	2-3/4			
	P1-300	A02412	P1-300-100	A01412	P1-300-200	A03412	3			
	P1-325	A02413	P1-325-100	A01413	P1-325-200	A03413	3-1/4			
	P1-350	A02414	P1-350-100	A01414	P1-350-200	A03414	3-1/2			
	P1-375	A02415	P1-375-100	A01415	P1-375-200	A03415	3-3/4			
	P1-400	A02416	P1-400-100	A01416	P1-400-200	A03416	4			
5 RW OR # 2MT	P2-125	A02505	P2-125-100	A01505	P2-125-200	A03505	1-1/4	1/4	3/4	.625
	P2-150	A02506	P2-150-100	A01506	P2-150-200	A03506	1-1/2			
	P2-175	A02507	P2-175-100	A01507	P2-175-200	A03507	1-3/4			
	P2-200	A02508	P2-200-100	A01508	P2-200-200	A03508	2			
	P2-225	A02509	P2-225-100	A01509	P2-225-200	A03509	2-1/4			
	P2-250	A02510	P2-250-100	A01510	P2-250-200	A03510	2-1/2			
	P2-275	A02511	P2-275-100	A01511	P2-275-200	A03511	2-3/4			
	P2-300	A02512	P2-300-100	A01512	P2-300-200	A03512	3			
	P2-325	A02513	P2-325-100	A01513	P2-325-200	A03513	3-1/4			
	P2-350	A02514	P2-350-100	A01514	P2-350-200	A03514	3-1/2			
	P2-375	A02515	P2-375-100	A01515	P2-375-200	A03515	3-3/4			
	P2-400	A02516	P2-400-100	A01516	P2-400-200	A03516	4			
	6 RW	P6-200	A02608	P6-200-100	A01608	P6-200-200	A03608			
P6-250		A02610	P6-250-100	A01610	P6-250-200	A03610	2-1/2			
P6-300		A02612	P6-300-100	A01612	P6-300-200	A03612	3			
7 RW OR # 3MT	P3-200	A02708	P3-200-100	A01708	P3-200-200	A03708	2	5/16	3/4	.875
	P3-250	A02710	P3-250-100	A01710	P3-250-200	A03710	2-1/2			
	P3-300	A02712	P3-300-100	A01712	P3-300-200	A03712	3			
	P3-400	A02716	P3-400-100	A01716	P3-400-200	A03716	4			

DOME ELECTRODES



SPOTWELD, INC.

Excellence in Resistance Welding



TIP ALLOY		R.W.M.A.	
F	= POINTED NOSE	C	= "C" NOSE
2	= #5RW TAPER	02	= CLASS 2 COPPER
250	= 2.50" LONG	5	= #5RW TAPER
		10	= LENGTH IN 1/4"

FLAT ELECTRODES

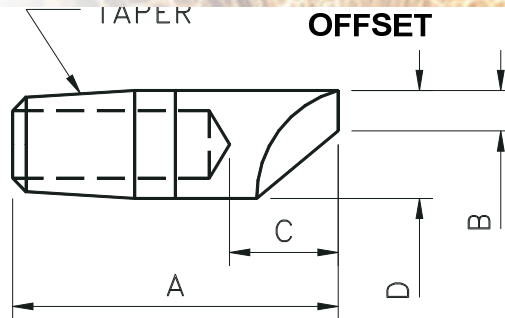
	CLASS 2		CLASS 1		CLASS 3		OVERALL	WELD	FACE TO	MAJOR
	#130	RWMA	#100	RWMA	#200	RWMA	LENGTH	FACE	WATER	DIA.
TAPER	CODE	CODE #	CODE	CODE #	CODE	CODE #	A	B	C	D
	F1-100	C02404	F1-100-100	C01404	-	-	1			
	F1-125	C02405	F1-125-100	C01405	F1-125-200	C03405	1-1/4			
	F1-150	C02406	F1-150-100	C01406	F1-150-200	C03406	1-1/2			
4 RW	F1-175	C02407	F1-175-100	C01407	F1-175-200	C03407	1-3/4			
OR	F1-200	C02408	F1-200-100	C01408	F1-200-200	C03408	2			
# 1MT	F1-225	C02409	F1-225-100	C01409	F1-225-200	C03409	2-1/4	3/16	1/2	.482
	F1-250	C02410	F1-250-100	C01410	F1-250-200	C03410	2-1/2			OR
	F1-275	C02411	F1-275-100	C01411	F1-275-200	C03411	2-3/4			.500
	F1-300	C02412	F1-300-100	C01412	F1-300-200	C03412	3			
	F1-325	C02413	F1-325-100	C01413	F1-325-200	C03413	3-1/4			
	F1-350	C02414	F1-350-100	C01414	F1-350-200	C03414	3-1/2			
	F1-375	C02415	F1-375-100	C01415	F1-375-200	C03415	3-3/4			
	F1-400	C02416	F1-400-100	C01416	F1-400-200	C03416	4			
	F2-125	C02505	F2-125-100	C01505	F2-125-200	C03505	1-1/4			
	F2-150	C02506	F2-150-100	C01506	F2-150-200	C03506	1-1/2			
	F2-175	C02507	F2-175-100	C01507	F2-175-200	C03507	1-3/4			
	F2-200	C02508	F2-200-100	C01508	F2-200-200	C03508	2			
5 RW	F2-225	C02509	F2-225-100	C01509	F2-225-200	C03509	2-1/4			
OR	F2-250	C02510	F2-250-100	C01510	F2-250-200	C03510	2-1/2	1/4	3/4	.625
# 2MT	F2-275	C02511	F2-275-100	C01511	F2-275-200	C03511	2-3/4			
	F2-300	C02512	F2-300-100	C01512	F2-300-200	C03512	3			
	F2-325	C02513	F2-325-100	C01513	F2-325-200	C03513	3-1/4			
	F2-350	C02514	F2-350-100	C01514	F2-350-200	C03514	3-1/2			
	F2-375	C02515	F2-375-100	C01515	F2-375-200	C03515	3-3/4			
	F2-400	C02516	F2-400-100	C01516	F2-400-200	C03516	4			
	F6-200	C02608	F6-200-100	C01608	F6-200-200	C03608	2			
6 RW	F6-250	C02610	F6-250-100	C01610	F6-250-200	C03610	2-1/2	9/32	3/4	.750
	F6-300	C02612	F6-300-100	C01612	F6-300-200	C03612	3			
	F3-200	C02708	F3-200-100	C01708	F3-200-200	C03708	2			
7 RW	F3-250	C02710	F3-250-100	C01710	F3-250-200	C03710	2-1/2	5/16	3/4	.875
OR	F3-300	C02712	F3-300-100	C01712	F3-300-200	C03712	3			
# 3MT	F3-400	C02716	F3-400-100	C01716	F3-400-200	C03716	4			



SPOTWELD, INC.

Excellence in Resistance Welding

EXAMPLE OF PART CODING:			
TIP ALLOY		R.W.M.A.	
0	= POINTED NOSE	D	= "D" NOSE
2	= #5RW TAPER	02	= CLASS 2 COPPER
250	= 2.50" LONG	5	= #5RW TAPER
		10	= LENGTH IN 1/4"

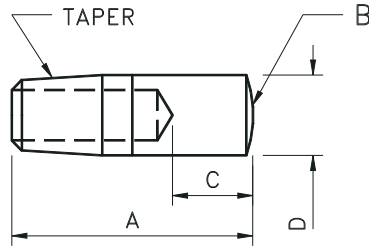


	CLASS 2		CLASS 1		CLASS 3		OVERALL	WELD	FACE TO	MAJOR
	#130	RWMA	#100	RWMA	#200	RWMA	LENGTH	FACE	WATER	DIA.
TAPER	CODE	CODE #	CODE	CODE #	CODE	CODE #	A	DIA.	HOLE	D
	01-100	D02404	01-100-100	D01404	-	-	1			
	01-125	D02405	01-125-100	D01405	01-125-200	D03405	1-1/4			
	01-150	D02406	01-150-100	D01406	01-150-200	D03406	1-1/2			
4 RW	01-175	D02407	01-175-100	D01407	01-175-200	D03407	1-3/4			
OR	01-200	D02408	01-200-100	D01408	01-200-200	D03408	2			
# 1MT	01-225	D02409	01-225-100	D01409	01-225-200	D03409	2-1/4	3/16	1/2	.482
	01-250	D02410	01-250-100	D01410	01-250-200	D03410	2-1/2			OR
	01-275	D02411	01-275-100	D01411	01-275-200	D03411	2-3/4			.500
	01-300	D02412	01-300-100	D01412	01-300-200	D03412	3			
	01-325	D02413	01-325-100	D01413	01-325-200	D03413	3-1/4			
	01-350	D02414	01-350-100	D01414	01-350-200	D03414	3-1/2			
	01-375	D02415	01-375-100	D01415	01-375-200	D03415	3-3/4			
	01-400	D02416	01-400-100	D01416	01-400-200	D03416	4			
	02-125	D02505	02-125-100	D01505	02-125-200	D03505	1-1/4			
	02-150	D02506	02-150-100	D01506	02-150-200	D03506	1-1/2			
	02-175	D02507	02-175-100	D01507	02-175-200	D03507	1-3/4			
	02-200	D02508	02-200-100	D01508	02-200-200	D03508	2			
5 RW	02-225	D02509	02-225-100	D01509	02-225-200	D03509	2-1/4			
OR	02-250	D02510	02-250-100	D01510	02-250-200	D03510	2-1/2	1/4	3/4	.625
# 2MT	02-275	D02511	02-275-100	D01511	02-275-200	D03511	2-3/4			
	02-300	D02512	02-300-100	D01512	02-300-200	D03512	3			
	02-325	D02513	02-325-100	D01513	02-325-200	D03513	3-1/4			
	02-350	D02514	02-350-100	D01514	02-350-200	D03514	3-1/2			
	02-375	D02515	02-375-100	D01515	02-375-200	D03515	3-3/4			
	02-400	D02516	02-400-100	D01516	02-400-200	D03516	4			
	06-200	D02608	06-200-100	D01608	06-200-200	D03608	2			
6 RW	06-250	D02610	06-250-100	D01610	06-250-200	D03610	2-1/2	9/32	3/4	.750
	06-300	D02612	06-300-100	D01612	06-300-200	D03612	3			
	03-200	D02708	03-200-100	D01708	03-200-200	D03708	2			
OR	03-250	D02710	03-250-100	D01710	03-250-200	D03710	2-1/2	5/16	3/4	.875
# 3MT	03-300	D02712	03-300-100	D01712	03-300-200	D03712	3			
	03-400	D02716	03-400-100	D01716	03-400-200	D03716	4			

OFFSET ELECTRODES

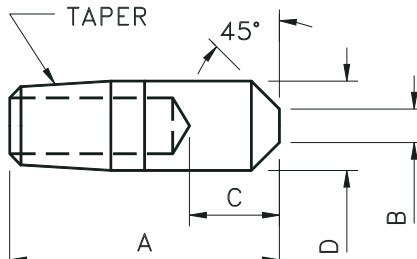


RADIUS AND TRUNCATED TIPS



RADIUS

	#130 CODE NO.	#100 CODE NO.	OVERALL LENGTH	WELD FACE DIA.	FACE TO WATER HOLE	MAJOR DIAMETER
	CLASS 2	CLASS 1	A	B	C	D
4RW / #1MT	TC-244	TC-144	1	3/16	.500	.482 OR 0.5
	TC-246	TC-146	1-1/2			
	TC-248	TC-148	2			
	TC-2410	TC-1410	2-1/2			
	TC-2412	TC-1412	3			
5RW / #2MT	TC-256	TC-156	1-1/2	1/4	3/4	.625
	TC-258	TC-158	2			
	TC-2510	TC-1510	2-1/2			
	TC-2512	TC-1512	3			
	TC-2514	TC-1514	3-1/2			
7RW / #3MT	TC-2516	TC-1516	4	5/16	3/4	.875
	TC-278	TC-178	2			
	TC-2712	TC-1712	3			
			4			



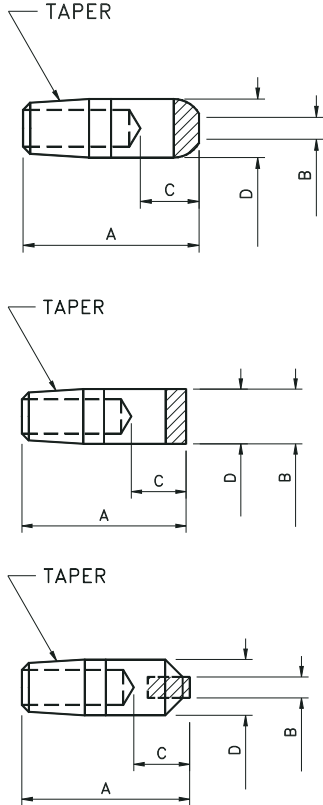
TRUNCATED

	#130 CODE NO.	#100 CODE NO.	OVERALL LENGTH	WELD FACE DIA.	FACE TO WATER HOLE	MAJOR DIAMETER
	CLASS 2	CLASS 1	A	B	C	D
4RW / #1MT	TC-244	TC-144	1	3/16	.500	.482 OR 0.5
	TC-246	TC-146	1-1/2			
	TC-248	TC-148	2			
	TC-2410	TC-1410	2-1/2			
	TC-2412	TC-1412	3			
5RW / #2MT	TC-256	TC-156	1-1/2	1/4	3/4	.625
	TC-258	TC-158	2			
	TC-2510	TC-1510	2-1/2			
	TC-2512	TC-1512	3			
	TC-2514	TC-1514	3-1/2			
7RW / #3MT	TC-2516	TC-1516	4	5/16	3/4	.875
	TC-278	TC-178	2			
	TC-2712	TC-1712	3			
			4			

RADIUS AND TRUNCATED TIPS

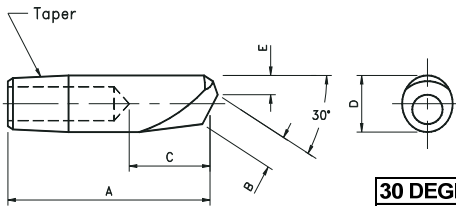


CT FACED & OFFSET ELECTRODES



TAPER	T10W CU/TUNG FACING CODE NO.	T100W TUNGSTEN FACING CODE NO.	T100M MOLLY FACING CODE NO.	OVERALL LENGTH A	WELD FACE DIA. B	FACE TO WATER HOLE C	MAJOR DIA. D
DOMED - CT FACED							
4RW / #1MT	CT-1578	CT-1577	M-1579	2	1/8	3/8	.500
5RW / #2MT	CT-1581	CT-1580	M-1582		1/8		.625
7RW / #3MT	CT-1584	CT-1583	M-1585		1/4		.875
FLAT - CT FACED							
4RW / #1MT	CT-1587	CT-1586	M-1588		1/2		.500
5RW / #2MT	CT-1590	CT-1589	M-1591	2	5/8	3/8	.625
7RW / #3MT	CT-1593	CT-1592	M-1594		7/8		.875
CENTER INSERTED							
4RW / #1MT	H-147400	CT-147400	M-147400		3/16	1/2	.500
5RW / #2MT	H-147500	CT-147500	M-147500	2	1/4	9/16	.625
7RW / #3MT	H-147600	CT-147600	M-147600		3/8	11/16	.875

COPPER TUNGSTEN, TUNGSTEN, AND MOLYBDENUM ARE ALSO AVAILABLE IN CUT-TO-LENGTH INSERTS, IN 8" OR 12" LENGTHS, AND IN ROUND OR RECTANGULAR SHAPES.



30 DEGREE OFFSET						
TAPER	#130 CODE NO.	LENGTH TO CENTER OF FACE A	WELD FACE DIA. B	FACE TO WATER HOLE C	MAJOR DIA. D	CLEARANCE DISTANCE E
4RW / #1MT	SP-219-1	2	1/4		.482 / .500	3/16
5RW / #2MT	SP-219-2	2-1/2	3/8	2-1/2	0.625	1/4
7RW / #3MT	SP-219-3	3	1/2		0.875	5/16

SPECIAL OFFSET TIPS CAN BE MANUFACTURED TO YOUR SPECIFICATIONS INCLUDING BUTTON STYLE, LOW PROFILE-ELECTRODE TAPER STYLE, AND VARIATIONS OF THE STANDARDS SHOWN ABOVE.

CT FACED & OFFSET ELECTRODES



SPOTWELD, INC.

Excellence in Resistance Welding

SINGLE BEND TIPS

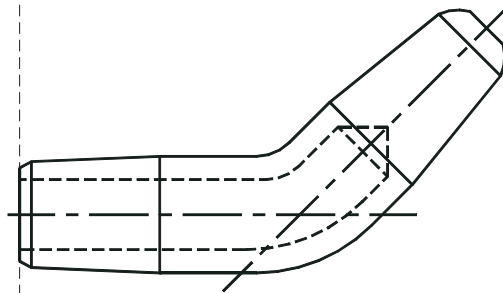
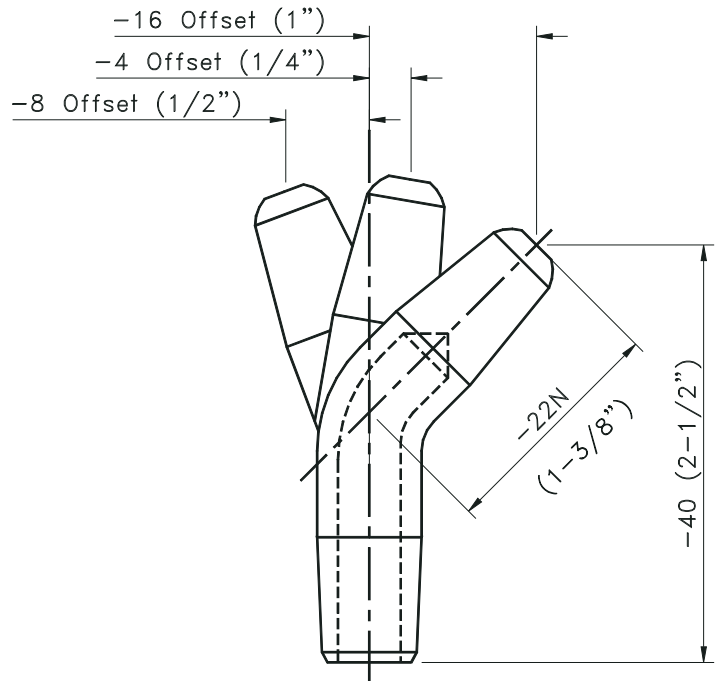
*WATER COOLING REACHES THE NOSE OF THE TIP, INCREASING LIFE OVER TRADITIONAL CAST OR FORGED OFFSET TIPS.

*WATER TUBES ARE SUPPLIED ON ALL DOUBLE BEND TIPS AND ON SEVERE SINGLE BEND TIPS. TIPS CAN BE SUPPLIED WITHOUT WATER TUBES ON REQUEST. THIS IS ONLY ADVISABLE IN VERY UNUSUAL APPLICATIONS.

NOTE: *Quantity shipped on specials may run +/- 10% of order quantity. (2 pieces on runs under 25 pieces)
*Six piece minimum order on special bends.

SINGLE BEND TIP CODING

S= SINGLE BEND TIP
16= NOSE LENGTH IN 1/16" INCREMENTS
P= POINTED NOSE
D= DOME NOSE
F= FLAT NOSE
O= OFFSET NOSE
R= RADIUS NOSE*
1= ALLOY SPECIFICATION (RWMA CLASS 1)
2= ALLOY SPECIFICATION (RWMA CLASS 2)
3= ALLOY SPECIFICATION (RWMA CLASS 3)
4= TAPER SPECIFICATION (#4 RW TAPER)
5= TAPER SPECIFICATION (#5 RW TAPER)
6= TAPER SPECIFICATION (#6 RW TAPER)
7= TAPER SPECIFICATION (#7 RW TAPER)
2= LENGTH IN 1 INCH INCREMENTS
14= FRACTIONAL LENGTH IN 1/16" INCREMENTS
8= OFFSET IN 1/16" INCREMENTS
EXAMPLE: S16-P14214-8
*NOTE: Please specify radius

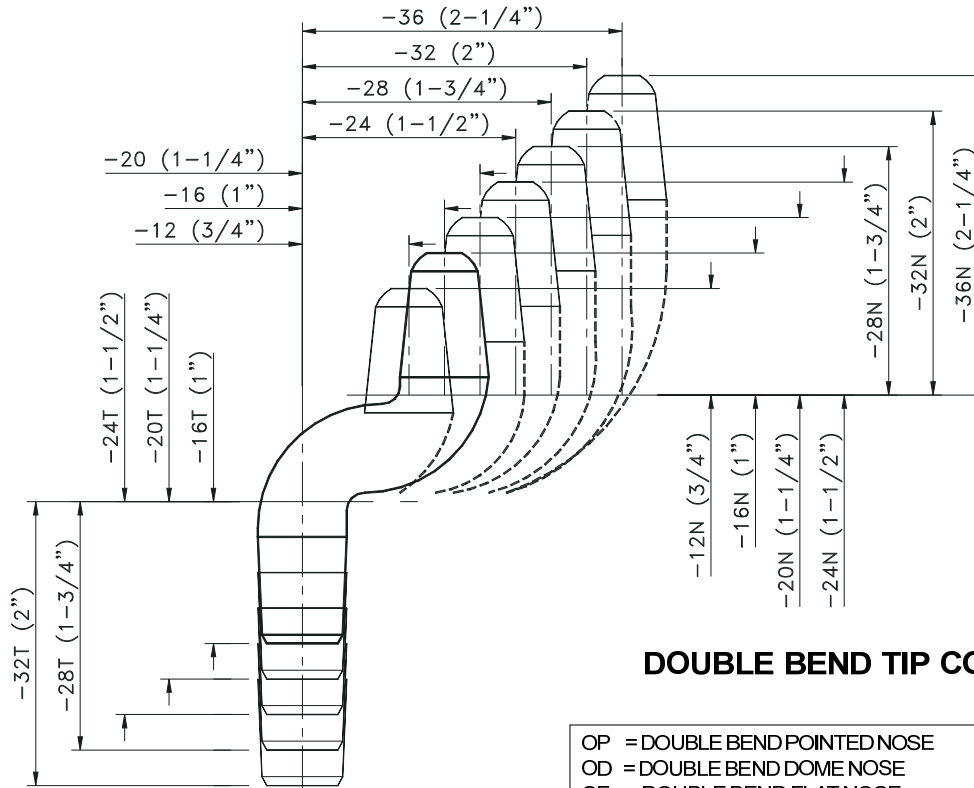


- 1/2"
- 1"
- 1-1/2"
- 2"
- 2-1/2"
- 3"
- 3-1/2"
- 4"
- 4-1/2"
- 5"
- 5-1/2"
- 6"

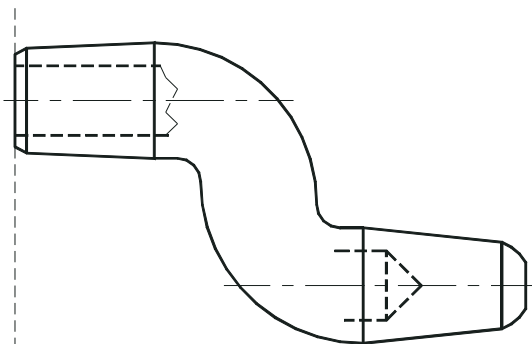


DOUBLE BEND TIPS

Please call our order desk and ask about the many standard double and single bend tips in stock or determine your exact requirement using the coding shown below. You may also use the chart on this page to measure the nose, taper, overall length, and offset of the double bend tips you currently use.



Minimum Overall Length = Nose Length + Taper Length + Body Diameter.
Maximum Offset = 2-1/2"



DOUBLE BEND TIP CODING

OP	= DOUBLE BEND POINTED NOSE
OD	= DOUBLE BEND DOME NOSE
OF	= DOUBLE BEND FLAT NOSE
OO	= DOUBLE BEND OFFSET NOSE
OR	= DOUBLE BEND RADIUS NOSE (SPECIFY RADIUS*)
1	= ALLOY SPECIFICATION (1 =RWMA CLASS 1)
2	= ALLOY SPECIFICATION (2 =RWMA CLASS 2)
3	= ALLOY SPECIFICATION (3 =RWMA CLASS 3)
4	= TAPER SPECIFICATION (4 =#4 RW TAPER)
5	= TAPER SPECIFICATION (5 =#5 RW TAPER)
6	= TAPER SPECIFICATION (6 =#6 RW TAPER)
7	= TAPER SPECIFICATION (7 =#7 RW TAPER)
3	= LENGTH IN 1 INCH INCREMENTS
14	= FRACTIONAL LENGTH IN 1/16" INCREMENTS
16	= OFFSET IN 1/16" INCREMENTS
20N	= NOSE LENGTH IN 1/16" INCREMENTS
24T	= TAPER LENGTH IN 1/16" INCREMENTS
EXAMPLE: OP-14314-16-20N-24T	
*FOR RADIUS NOSE, ADD THE REQUIRED RADIUS TO THE END OF THE PART NUMBER. (3 = 3" SPHERICAL RADIUS)	

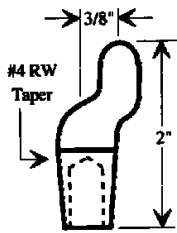
- 1/2" -----
- 1" -----
- 1-1/2" -----
- 2" -----
- 2-1/2" -----
- 3" -----
- 3-1/2" -----
- 4" -----
- 4-1/2" -----
- 5" -----
- 5-1/2" -----
- 6" -----

DOUBLE BEND TIPS

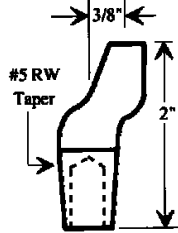


CAST IRREGULAR OFFSET TIPS

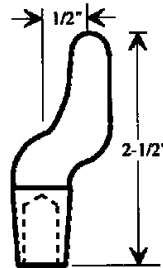
CAST IRREGULAR OFFSET TIPS



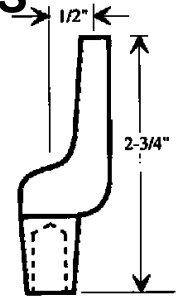
OF1-375



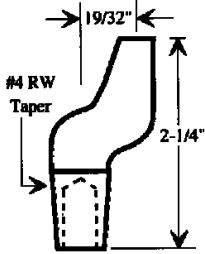
OF2-375



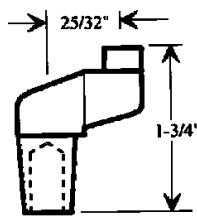
OF1-500S / OF2-500S
#4 RW / #5 RW



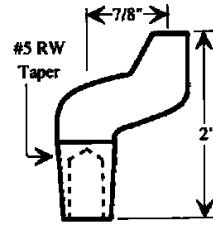
OF1-500 / OF2-500
#4 RW / #5 RW



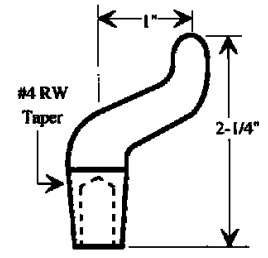
OF1-1932



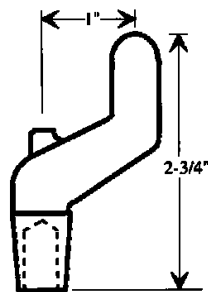
OF1-2532 / OF2-2532
#4 RW / #5 RW



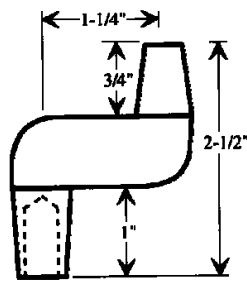
OF2-875



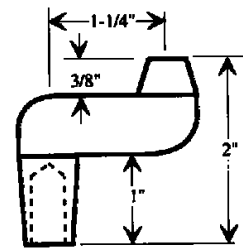
OF1-1000S



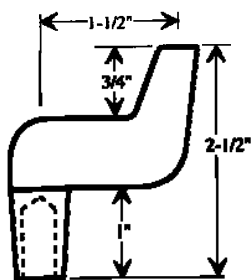
OF1-1000 / OF2-1000
#4 RW / #5 RW



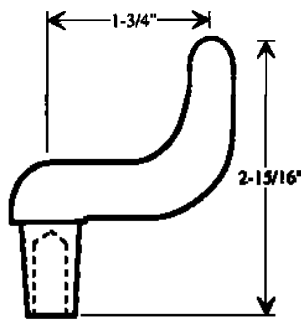
OF1-1250 / OF2-1250
#4 RW / #5 RW
(FORGED)



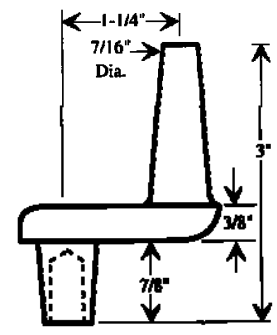
OF1-1250S / OF2-1250S
#4 RW / #5 RW
(FORGED)



OF1-1500 / OF2-1500
#4 RW / #5 RW
(FORGED)



OF1-1750 / OF2-1750
(RW-985 / RW-959)
#4 RW / #5 RW

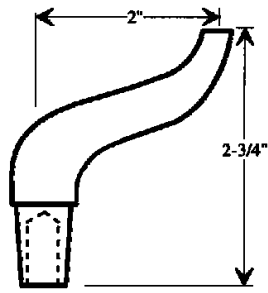


RW-969 / RW-1284
#4 RW / #5 RW

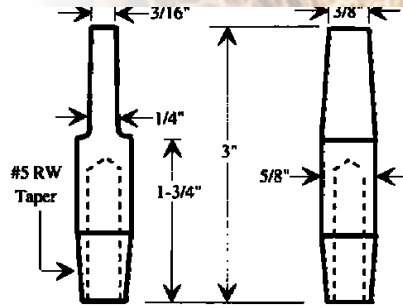


SPOTWELD, INC.

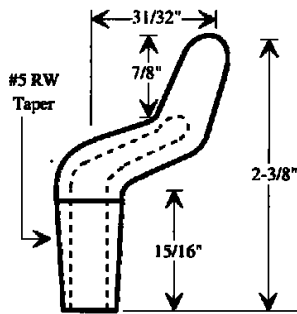
Excellence in Resistance Welding



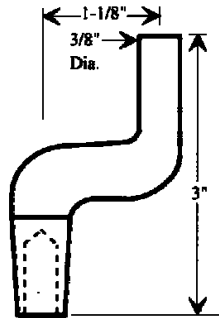
OF1-2000 / OF2-2000
(RW-1995 / RW-88)
#4 RW / #5 RW



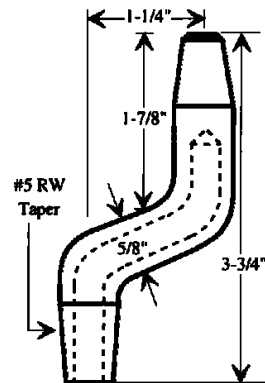
RW-990



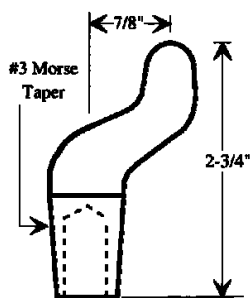
RW-1190
Cold Formed Tip



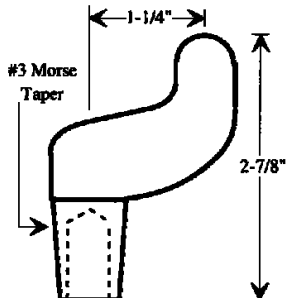
SPB-553-1 / SPB-553-2
(RW-1137 / RW-1138)
#4 RW / #5 RW
Cold Formed



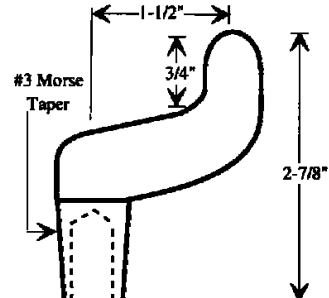
OF2-1250 3.75
Cold Formed
OP-25312-20-30N-16T



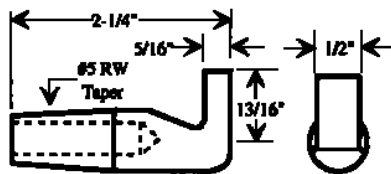
OF3-875



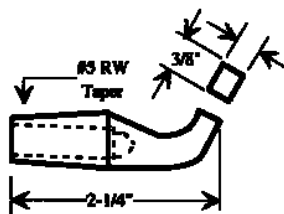
OF3-1250



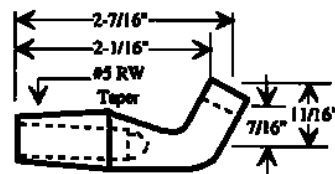
OF3-1500



RW-1178



A2-200

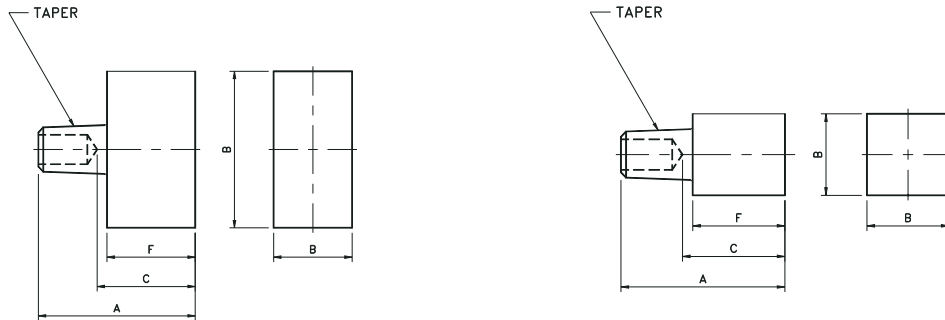


A2-205

CAST IRREGULAR OFFSET TIPS



RECTANGULAR & SQUARE FACE TIPS



EXAMPLE OF PART CODING		
TS	=	TIPALLOY SQUARE/ RECTANGULAR FACE
2	=	RWMA CLASS 2 COPPER
5	=	#5 RW TAPER
24	=	LENGTH IN 1/16" (24 = 1-1/2")
10x16	=	WIDTH X LENGTH OF FACE IN 1/16" (10X16 = 5/8" X 1")
18	=	WATER HOLE DEPTH (IF DIFFERENT THAN STD. 7/8")
CT	=	COPPER TUNGSTEN FACING

RECTANGULAR FACE TIPS

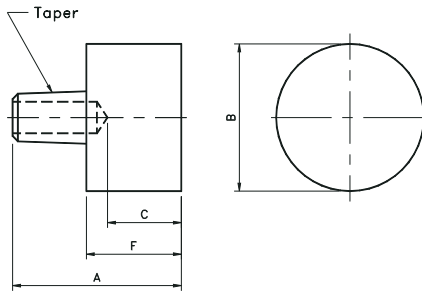
Taper	#130 Code No.	Previous Code No.	Overall Length	Weld Face Dimension	Face to Water Hole	Length of Face
	Class 2		A	B	C	F
4 RW Taper (#1 MT)	TS-24-25-10X32	SP-220-1	1-9/16	5/8 x 2	13/16	11/16
	TS-24-26-8X16	SP-248-1	1-5/8	1/2 x 1	1/2	1
	TS-24-24-8X8	SP-261	1-1/2	1/2 x 1/2		7/8
	TS-24-24-8X16	SP-271-1	1-1/2	1/2 x 1		
	TS-24-35-4X16	SPB-329-1	2-3/16	1/4 x 1	1-5/16	
5 RW Taper (#2 MT)	TS-25-25-10X32	SP-220-2	1-9/16	5/8 x 2	13/16	11/16
	TS-25-29-10X16	SP-248-2	1-13/16	5/8 x 1	11/16	15/16
	TS-25-24-10X16	SP-271-2	1-1/2		1/2	5/8
	TS-25-28-10X10	SP-291	1-3/4	5/8 x 5/8	3/4	7/8
	TS-25-35-4X16	SPB-329-2	2-3/16	1/4 x 1	1-5/16	1

* Additional rectangular or square face sizes and lengths available.



SPOTWELD, INC.

Excellence in Resistance Welding

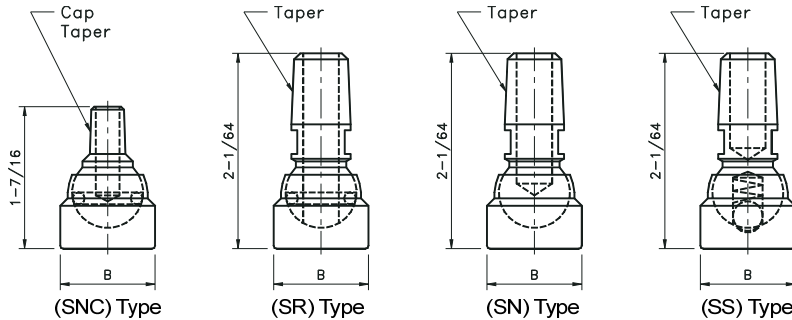


EXAMPLE OF PART CODING:	
TR	= TIPALLOY ROUND FACE TIP
2	= CLASS 2 COPPER
5	= #5 RW TAPER
24	= OVERALL LENGTH IN 1/16"
14	= WELD FACE DIAMETER IN 1/16"
16	= WATER HOLE DEPTH IN 1/16" IF DIFFERENT THAN STANDARD (7/8')
CT	= COPPER TUNGSTEN FACING

ROUND FACE TIPS

	New Part No.	Old Part No.	Overall Length	Weld Face	Face to Water Dia.	Length of Face Hole
			A	B	C	F
4 RW Taper (#1 MT)	TR-24-24-14	SP-221-1	1-1/2	7/8	5/8	7/8
	TR-24-20-16-13	SP-222	1-1/4	1	7/16	5/8
	TR-24-20-12-16	SPB-680-1	1-1/4	3/4	1/4	5/8
	TR-24-20-20-16	SPB-682-1	1-1/4	1-1/4	1/4	5/8
	TR-24-32-14-20	SP-279	2	7/8	3/4	1-3/8
5 RW Taper (#2 MT)	TR-25-24-14-14	SP-221-2	1-1/2	7/8	5/8	5/8
	TR-25-24-16-18	SP-223	1-1/2	1	3/8	1
	TR-25-30-14-14	SP-250	1-7/8	7/8	1	1
	TR-25-24-14-18	SP-292-2	1-1/2	7/8	3/8	5/8
	TR-25-24-12-18	SPB-681-2	1-1/2	3/4	3/8	5/8
	TR-25-24-20-18	SPB-682-2	1-1/2	1-1/4	3/8	5/8
	TR-25-46-12-14	SP-275	2-7/8	3/4	2	2
	TR-25-46-16-14	SP-276	2-7/8	1	2	2
	TR-25-32-16-20	SP-280	2	1	3/4	1-1/8
	TR-25-32-24-16	SPB-510-2	2	1-1/2	1	1-1/8

* Additional diameters and lengths available from stock.



SWIVEL TIPS

	5 RW Male Cap Taper Part No.	Spring Ball Type Part No.	Blind Hole Type Part No.	O Ring Type Part No.	Weld Face Diameter B
4 RW Taper (#1 MT)	-	SS-147	SN-147	SR-147	7/8
	-	SS-148	SN-148	SR-148	1
	-	SS-1410	SN-1410	SR-1410	1-1/4
	-	SS-1412	SN-1412	SR-1412	1-1/2
5 RW Taper (#2 MT)	SNC-157	SS-157	SN-157	SR-157	7/8
	SNC-158	SS-158	SN-158	SR-158	1
	SNC-1510	SS-1510	SN-1510	SR-1510	1-1/4
	-	SS-1512	SN-1512	SR-1512	1-1/2

EXAMPLE OF PART CODING:	
SNC	= SWIVEL - MALE CAP TAPER
SS	= SWIVEL - SPRING AND BALL TYPE
SN	= SWIVEL - BLIND HOLE TYPE
SR	= SWIVEL - "O" RING TYPE
1	= CLASS 2 COPPER
4	= #4 RW TAPER
7	= WELD FACE DIAMETER IN 1/8"

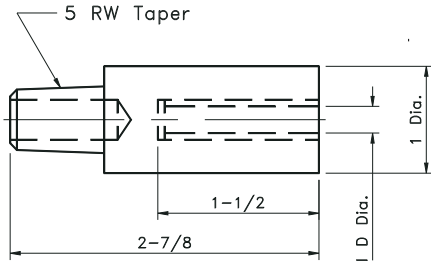
SWIVEL & ROUND FACE TIPS



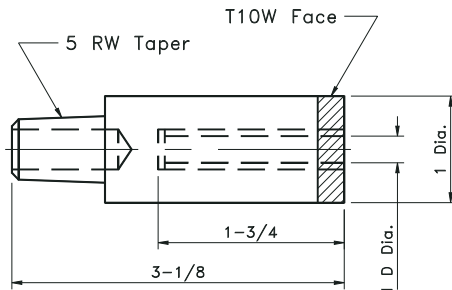
STUD & NUT ELECTRODES

STUD & NUT ELECTRODES

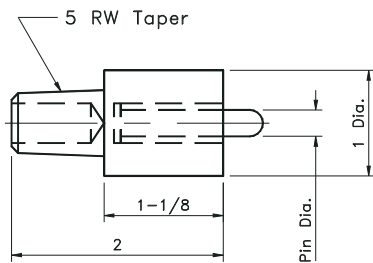
T-600 SERIES



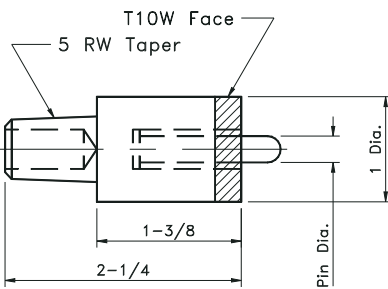
T-600-CT SERIES



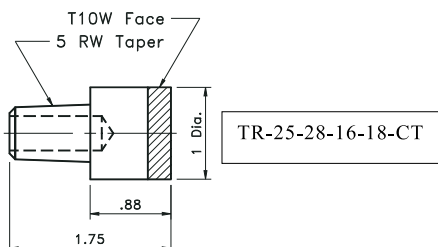
T-610 SERIES



T-610-CT SERIES



UPPER ELECTRODE - CT FACED



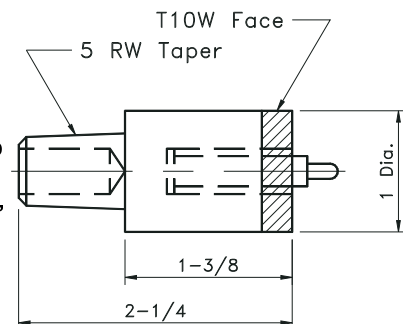
STUD ELECTRODES - 5RW TAPER				
PART #	PART #	PART #	STUD SIZE & DIA.	
ALLOY #130	ALLOY #130 WITH T-10W FACE	ALLOY #200		
T-601	T-601-CT	T-701	#8	.164 DIA.
T-602	T-602-CT	T-702	#10	.190 DIA.
T-603	T-603-CT	T-703	#12	.216 DIA.
T-604	T-604-CT	T-704	1/4	.250 DIA.
T-605	T-605-CT	T-705	5/16	.312 DIA.
T-606	T-606-CT	T-706	3/8	.164 DIA.
T-607	T-607-CT	T-707	7/16	.164 DIA.

METRIC STUD ELECTRODES - 5RW TAPER				
PART #	PART #	PART #	STUD SIZE & DIA.	
ALLOY #130	ALLOY #130 WITH T-10W FACE	ALLOY #200		
T-606MM	T-606MM-CT	T-706MM	6MM	.236 DIA.
T-608MM	T-608MM-CT	T-708MM	8MM	.316 DIA.
T-6010MM	T-6010MM-CT	T-7010MM	10MM	.394 DIA.

SELF PILOTING NUT ELECTRODES - 5RW TAPER					
PART #	PART #	PART #	NUT SIZE	PIN DIA	PILOT PIN HEIGHT
ALLOY #130	ALLOY #130 WITH T-10W FACE	ALLOY #200			
T-611	T-611-CT	T-711	#8-32	.126 DIA.	3/16
T-612	T-612-CT	T-712	#10-24	.144 DIA.	3/16
T-613	T-613-CT	T-713	#12-24	.170 DIA.	1/4
T-614	T-614-CT	T-714	1/4-20	.187 DIA.	5/16
T-615	T-615-CT	T-715	5/16-18	.250 DIA.	5/16
T-616	T-616-CT	T-716	3/8-16	.312 DIA.	3/8
T-617	T-617-CT	T-717	7/16-14	.355 DIA.	3/8
T-618	T-618-CT	T-718	1/2-13	.414 DIA.	3/8

METRIC NUT ELECTRODES - 5RW TAPER				
PART #	PART #	PART #	STUD SIZE & DIA.	
ALLOY #130	ALLOY #130 WITH T-10W FACE	ALLOY #200		
T-616MM	T-616MM-CT	T-716MM	6MM	.188 DIA.
T-618MM	T-618MM-CT	T-718MM	8MM	.260 DIA.
T-6110MM	T-6110MM-CT	T-7110MM	10MM	.328 DIA.

Stepped pins are also available, please supply us with a print, sample or consult factory.





STUD & NUT ELECTRODES

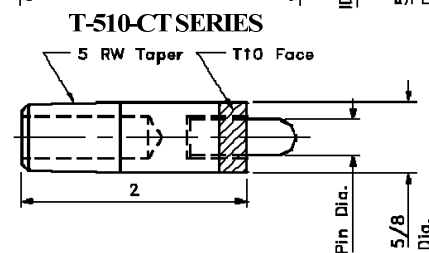
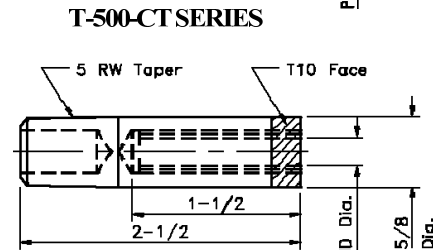
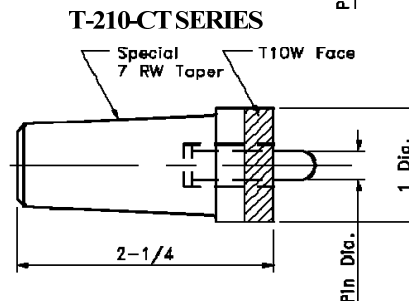
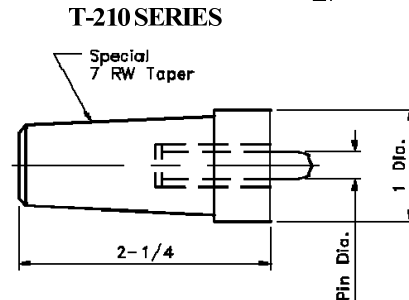
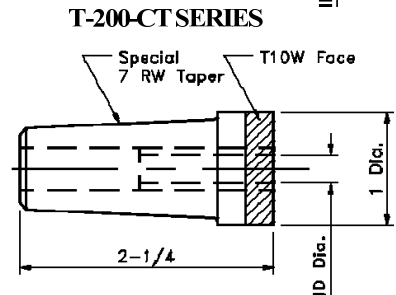
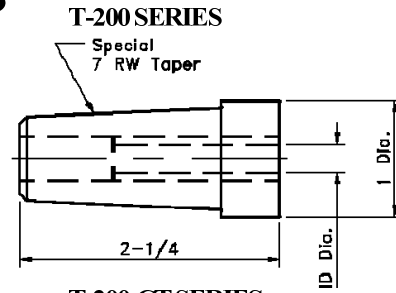
STUD ELECTRODES - SPECIAL 7RW TAPER			
PART # ALLOY #130	PART # ALLOY #130 WITH T-10W FACE	STUD SIZE & DIA.	
T-201	T-201-CT	#8	.164 DIA.
T-202	T-202-CT	#10	.190 DIA.
T-203	T-203-CT	#12	.216 DIA.
T-204	T-204-CT	1/4	.250 DIA.
T-205	T-205-CT	5/16	.312 DIA.
T-206	T-206-CT	3/8	.164 DIA.
T-207	T-207-CT	7/16	.164 DIA.

Also available in metric sizes.

SELF PILOTING NUT ELECTRODES - SPECIAL 7RW TAPER				
PART # ALLOY #130	PART # ALLOY #130 WITH T-10W FACE	NUT SIZE	PIN DIA	PILOT PIN HEIGHT
T-211	T-211-CT	#8-32	.126 DIA.	3/16
T-212	T-212-CT	#10-24	.144 DIA.	3/16
T-213	T-213-CT	#12-24	.170 DIA.	1/4
T-214	T-214-CT	1/4-20	.187 DIA.	5/16
T-215	T-215-CT	5/16-18	.250 DIA.	5/16
T-216	T-216-CT	3/8-16	.312 DIA.	3/8
T-217	T-217-CT	7/16-14	.355 DIA.	3/8
T-218	T-218-CT	1/2-13	.414 DIA.	3/8

STUD ELECTRODES - 5RW TAPER		
PART # ALLOY #130	PART # ALLOY #130 WITH T-10W FACE	STUD SIZE & DIA.
T-501	T-501-CT	#8 .164 DIA.
T-502	T-502-CT	#10 .190 DIA.
T-503	T-503-CT	#12 .216 DIA.
T-504	T-504-CT	1/4 .250 DIA.

SELF PILOTING NUT ELECTRODES - 5RW TAPER				
PART # ALLOY #130	PART # ALLOY #130 WITH T-10W FACE	NUT SIZE	PIN DIA	PILOT PIN HEIGHT
T-511	T-511-CT	#8-32	.126 DIA.	3/16
T-512	T-512-CT	#10-24	.144 DIA.	3/16
T-513	T-513-CT	#12-24	.170 DIA.	1/4



STUD & NUT ELECTRODES



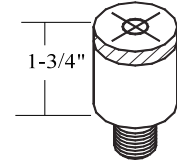
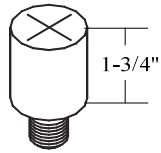
SPOTWELD, INC.

Excellence in Resistance Welding

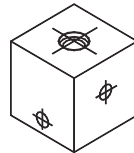
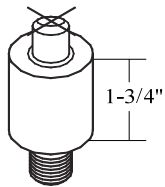
BUILD A DIE COMPONENTS



ELECTRODES	
PART #	DIA.
TDTE-2-19-BLANK	3/4"
TDTE-2-22-BLANK	7/8"
TDTE-2-25-BLANK	1"
TDTE-2-32-BLANK	1-1/4"

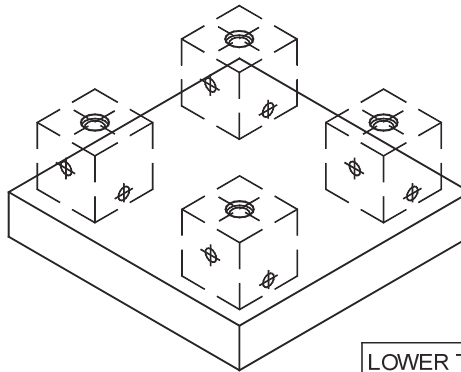


FIXED PIN NUT ELECTRODES		
PART #	NUT SIZE	DIA.
TDTN-2-25-611	#8	1"
TDTN-2-25-612	#10	1"
TDTN-2-25-613	#12	1"
TDTN-2-25-614	1/4"	1"
TDTN-2-25-615	5/16"	1"
TDTN-2-25-616	3/8"	1"
TDTN-2-25-617	7/16"	1"
TDTN-2-25-618	1/2"	1"
TDTN-2-25-614MM	4MM	1"
TDTN-2-25-616MM	6MM	1"
TDTN-2-25-618MM	8MM	1"
TDTN-2-25-6110MM	10MM	1"
TDTN-2-25-6112MM	12MM	1"



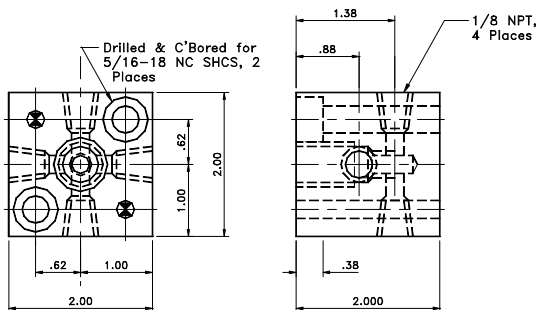
STUD ELECTRODES		
PART #	NUT SIZE	DIA.
TDTS-2-25-601	#8	1"
TDTS-2-25-602	#10	1"
TDTS-2-25-603	#12	1"
TDTS-2-25-604	1/4"	1"
TDTS-2-25-605	5/16"	1"
TDTS-2-25-606	3/8"	1"
TDTS-2-25-607	7/16"	1"
TDTS-2-25-608	1/2"	1"
TDTS-2-25-604MM	4MM	1"
TDTS-2-25-606MM	6MM	1"
TDTS-2-25-608MM	8MM	1"
TDTS-2-25-6110MM	10MM	1"
TDTS-2-25-6112MM	12MM	1"

NOTE: For copper tungsten faced electrodes please add a "-CT" to the end of the part number.



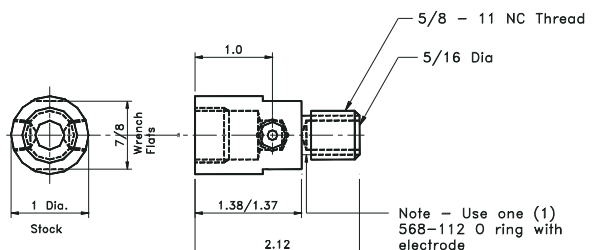
NOTE: For copper tungsten faced electrodes please add a "-CT" to the end of the part number.

WATER COOLED BLOCKS		
PART #	STOCK SIZE	THD.
T-4000-01	2" X 2"	5/8-11



Note - Use with TDT-25/30-C for welding fixtures and dies.

LOWER THREADED BODY			
PART #	THD. SIZE	DIA.	USE HEAD
TDT-25-C	5/8-11	1"	TCN-M04 - M09
TDT-30-C	5/8-11	1-1/4"	TCN-M10 - M13
TDT-25-C-CL	5/8-11	1"	TCL-200 SERIES
TDT-30-C-CL	5/8-11	1-1/4"	TCL-300 SERIES



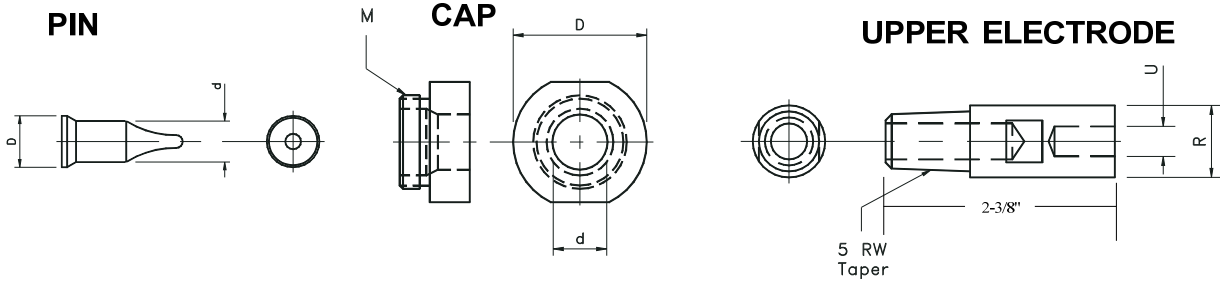
BUILD A DIE



SPOTWELD, INC.

Excellence in Resistance Welding

AIR PRESSURE NUT ELECTRODES



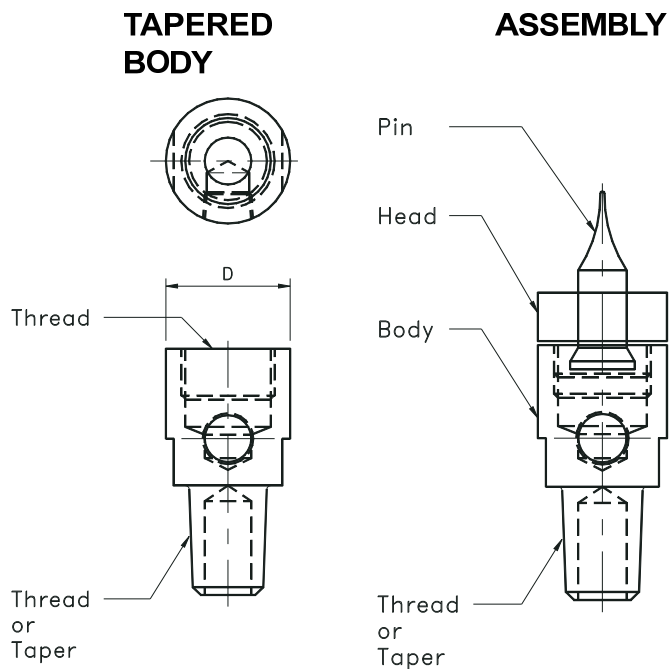
PIN			CAP				UPPER ELECTRODE		NUT	
NUMBER	d	D	NUMBER	D	d	M	ELECTRODE	SIZE	R	U
TDP-M04	5	12	TCN-M04	25	5	18	TNFD-16-M5-16-3	M 4-6	16MM	5MM
TDP-M05	6	12	TCN-M05	25	6	18	TNFD-16-M5-16-3	M 4-6	16MM	5MM
TDP-M06	7	12	TCN-M06	25	7	18	TNFD-20-M6-16-3	M 6-7	20MM	6MM
TDP-M07	8	12	TCN-M07	25	8	18	TNFD-20-M6-16-3	M 6-7	20MM	6MM
TDP-M08	9	12	TCN-M08	25	9	18	TNFD-20-M8-16-3	M 8-9	20MM	7.5MM
TDP-M09	10	12	TCN-M09	25	10	18	TNFD-20-M8-16-3	M 8-9	20MM	7.5MM
TDP-M10	11	16	TCN-M10	32	11	22	TNFD-20-M10-16-3	M 10-11	20MM	10MM
TDP-M11	12	16	TCN-M11	32	12	22	TNFD-20-M10-16-3	M 10-11	20MM	10MM
TDP-M12	13	16	TCN-M12	32	13	22	TNFD-20-M12-16-3	M 12-13	20MM	12MM
TDP-M13	14	16	TCN-M13	32	14	22	TNFD-20-M12-16-3	M 12-13	20MM	12MM

NOTE: For solid copper tungsten heads please add a "CT" to the end of the part number.

NOTE: For copper tungsten faced electrodes please add a "CT" to the end of the part number.

BODY NUMBER	D	TAPER / THREAD	CAP THREAD
TDH-25-A	25	MT #1	18MM
TDH-25-B	25	1/10	18MM
TDH-25-C	25	MT #2	18MM
TDH-25-D	25	1/10	18MM
TDH-25-E	25	1/5	18MM
TDH-30-A	32	MT #2	22MM
TDH-30-B	32	1/10	22MM
TDT-25-C	25	5/8-11	18MM
TDT-30-C	32	5/8-11	22MM
TDT-25-C-CL	25	5/8-11	5/8-18
TDT-30-A-CL	32	5/8-11	7/8-14

Specials available upon request.

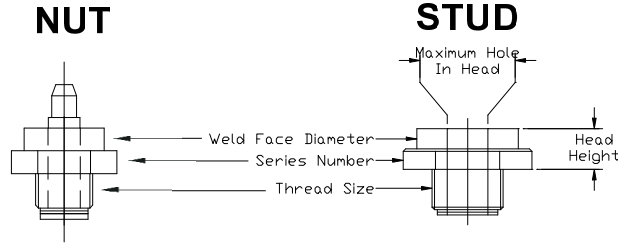


AIR PRESSURE NUT ELECTRODES



TCL HEADS & COMPONENTS

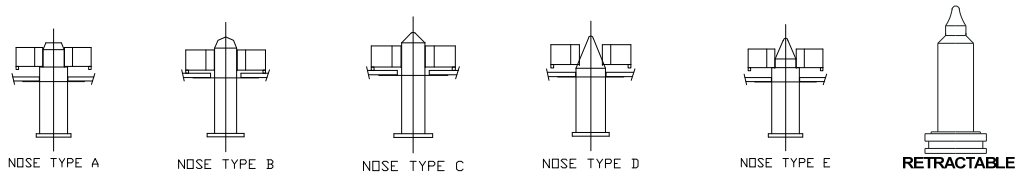
TCL HEADS & COMPONENTS



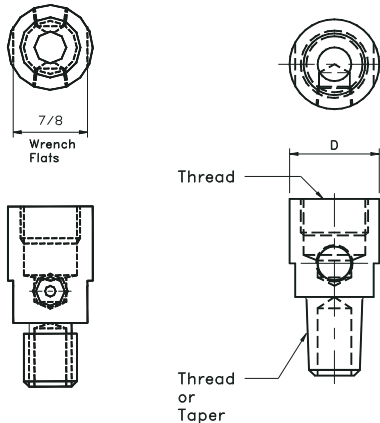
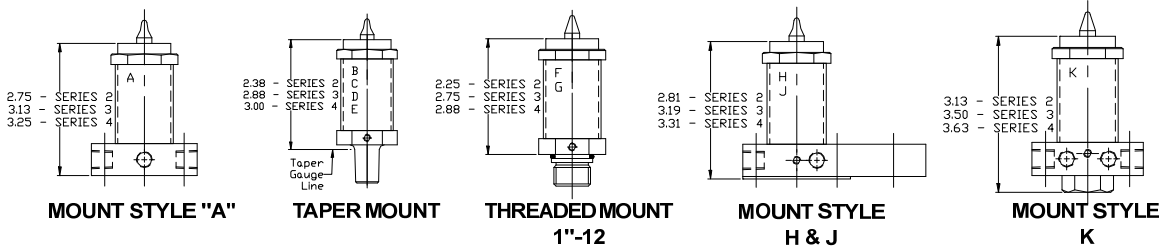
SERIES	THREAD SIZE	WELD FACE DIA.	HEAD HEIGHT	MAX. HOLE DIA.
TCL-201	5/8-18"	7/8"	1/2"	.427 (10.85) ID
TCL-301	7/8-14"	1-1/4"	1/2"	.642 (16.31) ID
TCL-401	1-1/8-12"	1-1/2"	5/8"	.852 (21.64) ID

*specials available in round stock or hex stock

WELD NUT PIN NOSE STYLES



STANDARD BODY & MOUNTING STYLES



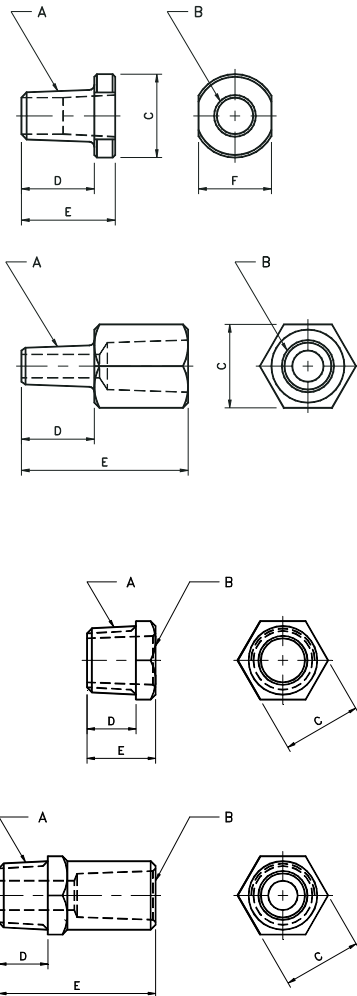
INFORMATION REQUIRED TO ORDER "TCL" PARTS	TCL HEAD	TCL PIN	STUD
Nut type (piloted, Non-oiloted, ect)		X	
Nut style(sq., hex, round)		X	
Head Series		X	X
Hole in stamping	X	X	
Hole in nut	X	X	X
Stamping thickness	X	X	
Hand load		X	
Auto load		X	
Air / Spring operated		X	
Retractable (Air only)		X	
Length of stud	X		X
Head dia. Of stud	X		X
Stud dia	X		X

CONSULT FACTORY FOR ADDITIONAL INFORMATION ON THESE ITEMS



TIP ADAPTERS

TIP ADAPTERS



EXAMPLE OF PART CODING:	
AT	= TAPER
H	= HEX STOCK
R	= ROUND STOCK
2	= CLASS 2 COPPER
4	= #4 RW FEMALE TAPER
5	= #5 RW MALE TAPER
8	= LENGTH IN 1/8" INCREMENTS

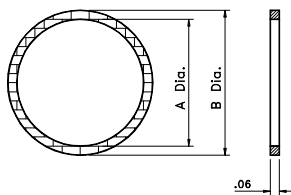
FEMALE TAPER TO MALE TAPER						
#130 Code No.	Male Taper	Female Taper	Stock Size	Length Under Head	Overall Length	Wrench Flats
	A	B	C	D	E	F
AT-R245-9	5 RW	4 RW	1	7/8	1-1/8	7/8
AT-R247-12	7 RW	5 RW	1-1/8	1-1/4	1-1/2	1
AT-R257-12						

#130 Code No.	Male Taper	Female Taper	Stock Size	Length Under Head	Overall Length
	A	B	C	D	E
AT-H254-15	4 RW	5 RW	1	7/8	1-7/8

FEMALE TAPER TO MALE STRAIGHT THREAD					
#130 Code No.	Male Thread	Female Taper	Stock Size	Length Under Head	Overall Length
	A	B	C	D	E
AS-H245-7	5/8-18	4 RW	1	5/8	7/8
AS-H255-13		5 RW			1-5/8
AS-H247-7	7/8-14	4 RW			7/8
AS-H257-7		5 RW			
AS-H248-7	1-14	4 RW	1-1/4		
AS-H258-7		5 RW			

* Sealing Ring included on Straight Threaded Adapters

COPPER SEALING RINGS



Part Number	A Dia.	B Dia.
760-0-0001	7/8 Dia.	1 Dia.
780-0-0001	1 Dia.	1-1/8 Dia.

EXAMPLE OF PART CODING:	
AS	= STRAIGHT THREAD
H	= HEX STOCK
R	= ROUND STOCK
2	= CLASS 2 COPPER
4	= #4 RW FEMALE TAPER
7	= EXTERNAL THREAD SIZE
8	= LENGTH IN 1/8" INCREMENTS



TIP ADAPTERS

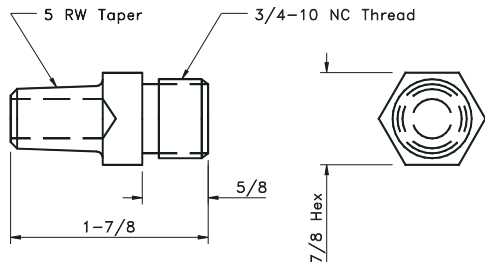
FEMALE TAPER TO MALE PIPE THREAD					
#130 Code No.	Male Pipe Thread	Female Taper	Stock Size	Length Under Head	Overall Length
	A	B	C	D	E
AP-H24A-8 *	3/8			3/4	1
AP-H24B-7 *					7/8
AP-H24B-8					1
AP-H24B-10	1/2	4 RW	1	5/8	1-1/4
AP-H24B-12					1-1/2
AP-H24B-16					2
AP-H24B-20					2-1/2
AP-H24B-24					3
AP-H24C-7 *	5/8				7/8
AP-H24C-8					1
AP-H25A-13	3/8			3/4	1-5/8
AP-H25B-7 *					7/8
AP-H25B-8					1
AP-H25B-10	1/2	5 RW	1	5/8	1-1/4
AP-H25B-12					1-1/2
AP-H25B-16					2
AP-H25B-20					2-1/2
AP-H25B-24					3
AP-H25C-7 *	5/8				7/8
AP-H25C-8					1

EXAMPLE OF PART CODING:	
AP	= PIPE THREAD
H	= HEX STOCK
R	= ROUND STOCK
2	= CLASS 2 COPPER
4	= #4 RW TAPER
A	= 3/8" MALE PIPE THREAD
B	= 1/2" MALE PIPE THREAD
C	= 5/8" MALE PIPE THREAD
D	= 3/4" MALE PIPE THREAD
8	= LENGTH IN 1/8" INCREMENTS

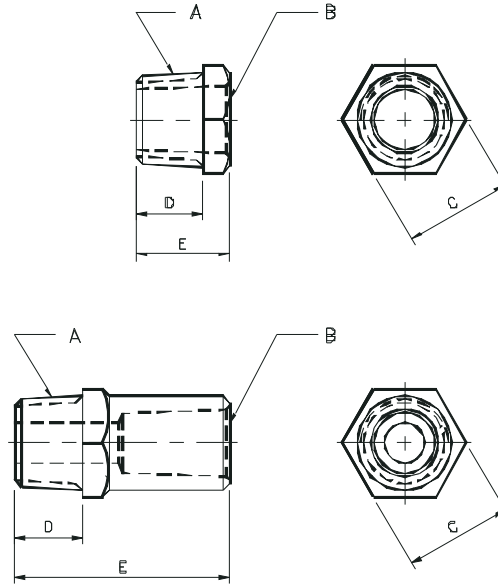
#130 Code No.	Male Pipe Thread	Female Taper	Stock Size	Length Under Head	Overall Length
	A	B	C	D	E
AP-H35D-11*					1-3/8
AP-H35D-12					1-1/2
AP-H35D-16		5 RW			2
AP-H35D-20					2-1/2
AP-H35D-24	3/4		1-1/4	7/8	3
AP-H36D-11*					1-3/8
AP-H36D-12					1-1/2
AP-H36D-16		6 RW			2
AP-H36D-20					2-1/2
AP-H36D-24					3

* Denotes Minimum Length Available

TAPER ADAPTER



810408-A



TIP ADAPTERS