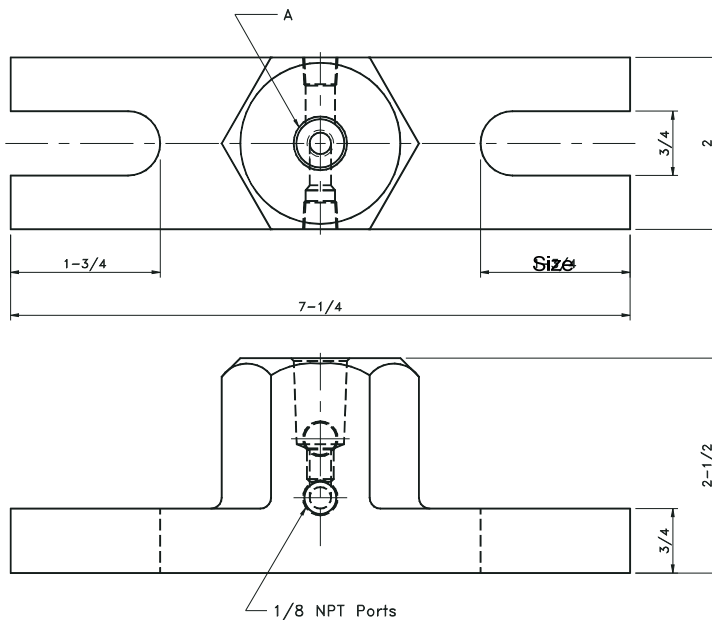
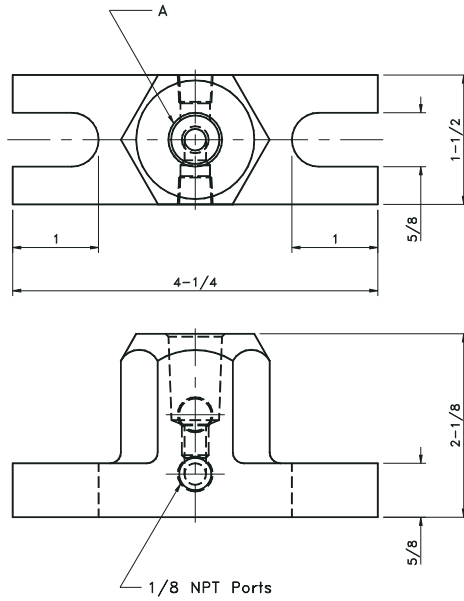




PLATEN ADAPTERS

Tipaloy platen adapters make it possible to use press type welders for a wider range of applications, including stud and nut welding, single spot welding, and special fixture components. Both sizes match RWMA T-slot spacing.



T-8000 SERIES

Use T-8000 series for
3-1/2" centerline

Part Number	Taper or Thread Size A
T-8001	4 RW (#1 MT)
T-8002	5 RW (#2 MT)
T-8003	6 RW -
T-8004	7 RW (#3 MT)
T-8005	SPECIAL 7RW
T-8006	1/2" NPT
T-8007	5/8" NPT
T-8008	3/4" NPT
T-8009	7/8-14 NPT
T-8010	1-14 NPT
T-8012	7/8-9 NC
T-8013	5/8-11 NC
T-8014	3/4-10 NC

T-8100 SERIES

Use T-8100 series for
5" - 6" centerline

Part Number	Taper or Thread A
T-8102	5 RW (#2 MT)
T-8103	6 RW -
T-8104	7 RW (#3 MT)
T-8105	SPECIAL 7RW
T-8106	1/2" NPT
T-8107	5/8" NPT
T-8108	3/4" NPT
T-8109	7/8-14 NPT
T-8110	1-14 NPT
T-8111	T-230SERIES
T-8112	7/8-9 NC
T-8113	5/8-11 NC
T-8114	3/4-10 NC

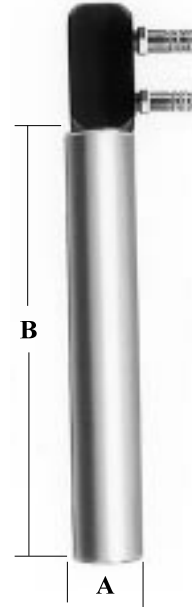
PLATEN ADAPTERS



STANDARD T-5400 STRAIGHT HOLDERS NON-EJECTOR TYPE

	Part Number	Holder Body Diameter		Body Length	
		A	B		
4 RW Taper (#1 MT)	T-5400 **	3/4	8"		
	T-5401	7/8			
	T-5402 *	1			
	T-5403	1-1/4			
	T-5404	1-1/2			
5 RW Taper (#2 MT)	T-5405	7/8	8"		
	T-5406 *	1			
	T-5407 *	1-1/4			
	T-5408 *	1-1/2			
7 RW Taper (#3 MT)	T-5409	1-1/4	8"		
	T-5410 *	1-1/2			

ALSO AVAILABLE IN THREADED STYLE



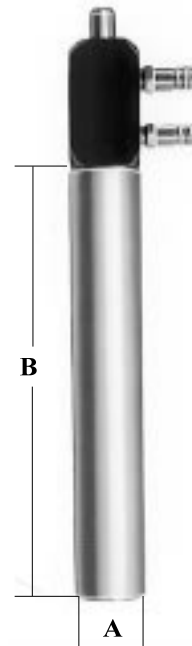
STANDARD T-5600 STRAIGHT HOLDERS EJECTOR TYPE

	Part Number	Holder Body Diameter		Body Length	
		A	B		
4 RW Taper (#1 MT)	T-5600 **	3/4	8"		
	T-5601	7/8			
	T-5602 *	1			
	T-5603	1-1/4			
	T-5604	1-1/2			
5 RW Taper (#2 MT)	T-5605	7/8	8"		
	T-5606 *	1			
	T-5607 *	1-1/4			
	T-5608 *	1-1/2			
7 RW (#3 MT)	T-5609	1-1/4	8"		
	T-5610 *	1-1/2			
8 Degree Taper .625 Eng.	T-5611	1	8"		
	T-5612	1-1/4			
	T-5613	1-1/2			
8 Degree Taper .875 Eng.	T-5614	1-1/4	8"		
	T-5615	1-1/2			

* ALSO STOCKED IN 12" BARREL LENGTHS

** EXTERNAL THREAD ON BARREL AT HOLDER HEAD

SPECIAL LENGTHS AVAILABLE



STRAIGHT TAPERED BARREL HOLDERS



SPOTWELD, INC.

Excellence in Resistance Welding

SPECIAL HOLDERS



CLOSE COUPLED HOLDERS T-2000/T-2000E

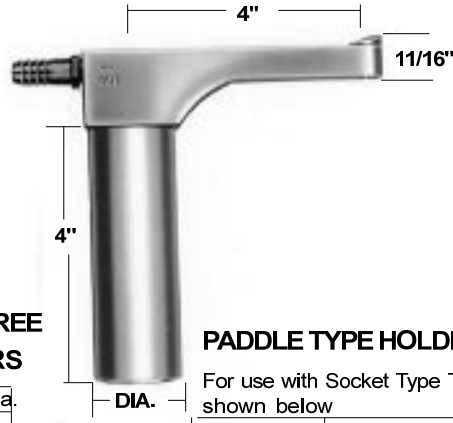
	Part Number Non-Ejector Type	Part Number Ejector Type	Holder Body Diameter	Holder Body Length
4 RW Taper (#1 MT)	T-2000	T-2000-E	3/4	3
	T-2001	T-2001-E	7/8	
	T-2002	T-2002-E	1	
5 RW Taper (#2 MT)	T-2003	T-2003-E	1	3
	T-2004	T-2004-E	1-1/4	
	T-2005	T-2005-E	1-1/2	

Custom barrel lengths available



**SPECIAL 20 DEGREE
OFFSET HOLDERS**

	Part Number	Shank Dia.
5 RW Taper (#2 MT)	T-5200	1
	T-5205	1-1/4



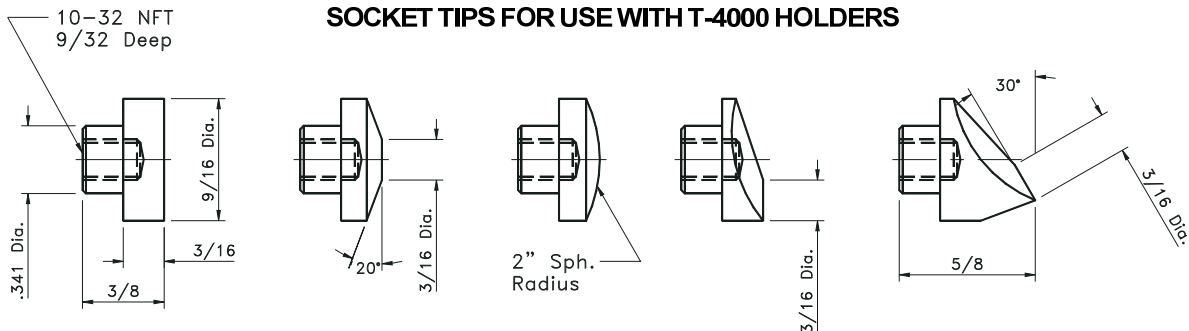
PADDLE TYPE HOLDERS

For use with Socket Type Tips as shown below

Part Number	Shank Diameter
T-4012	3/4
T-4014	7/8
T-4016	1
T-4020	1-1/4
T-4024	1-1/2

Replacement Screw P/N 10F37SHC

SOCKET TIPS FOR USE WITH T-4000 HOLDERS



SP-228

SP-282

SP-299

SPB-309

SP-270



LIGHT DUTY OFFSET HOLDERS

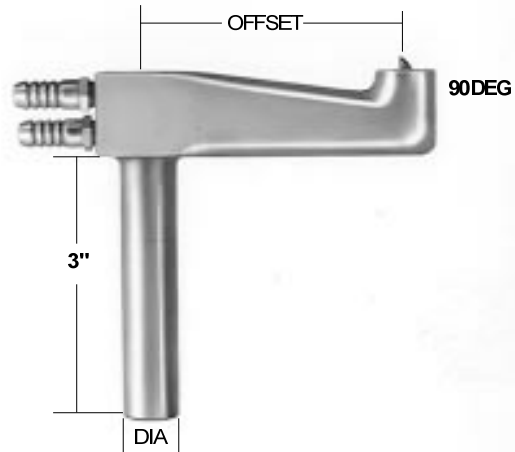
LIGHT DUTY - 90 DEGREE OFFSET NON-EJECTOR TYPE

4 RW
Taper
(#1 MT)

Part Number	Offset	Shank Diameter
T-121	2	3/4
T-122		7/8
T-123		1
T-124		1-1/4
T-131	4	3/4
T-132		7/8
T-133		1
T-134		1-1/4

5 RW
Taper
(#2 MT)

T-127	2	7/8
T-128		1
T-129		1-1/4
T-137	4	7/8
T-138		1
T-139		1-1/4



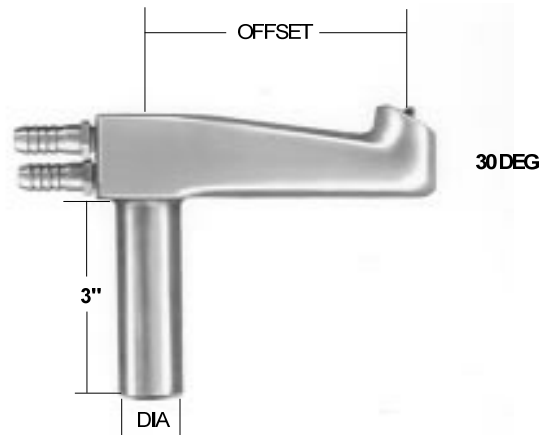
LIGHT DUTY - 30 DEGREE OFFSET NON-EJECTOR TYPE

4 RW
Taper
(#1 MT)

Part Number	Offset	Shank Diameter
T-141	2	3/4
T-142		7/8
T-143		1
T-144		1-1/4
T-152	4	7/8
T-153		1
T-154		1-1/4

5 RW
Taper
(#2 MT)

T-147	2	7/8
T-148		1
T-149		1-1/4
T-157	4	7/8
T-158		1
T-159		1-1/4



LIGHT DUTY OFFSET HOLDERS

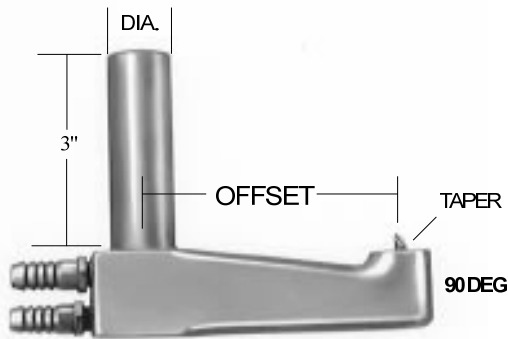
**SPECIAL SHANK DIAMETERS, LENGTHS, AND OFFSET LENGTHS
ARE AVAILABLE ON A MADE TO ORDER BASIS**



REVERSE OFFSET HOLDERS

REVERSE OFFSET HOLDERS

**90 DEGREE REVERSE OFFSET
HOLDERS NON-EJECTOR TYPE**



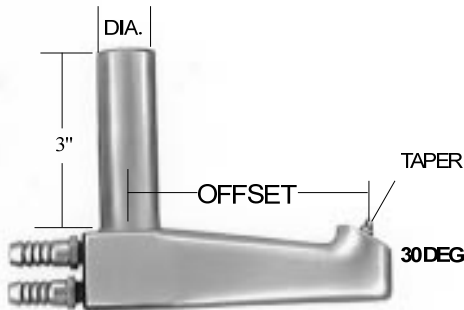
4 RW
Taper
(#1 MT)

Part Shank	Offset	Shank Diameter
T-122-R	2	7/8
T-123-R		1
T-124-R		1-1/4
T-132-R	4	7/8
T-133-R		1
T-134-R		1-1/4

5 RW
Taper
(#2 MT)

T-127-R	2	7/8
T-128-R		1
T-129-R		1-1/4
T-137-R	4	7/8
T-138-R		1
T-139-R		1-1/4

**30 DEGREE REVERSE OFFSET
HOLDERS NON-EJECTOR TYPE**



4 RW
Taper
(#1 MT)

Part Number	Offset	Shank Diameter
T-141-R	2	3/4
T-142-R		7/8
T-143-R		1
T-144-R	4	1-1/4
T-152-R		7/8
T-153-R		1
T-154-R	1-1/4	

5 RW
Taper
(#2 MT)

T-147-R	2	7/8
T-148-R		1
T-149-R		1-1/4
T-157-R	4	7/8
T-158-R		1
T-159-R		1-1/4

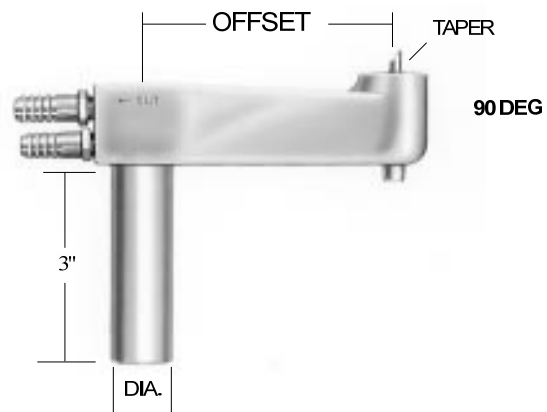


STANDARD OFFSET HOLDERS - EJECTOR

90 DEGREE STANDARD DUTY OFFSET

HOLDERS EJECTOR TYPE

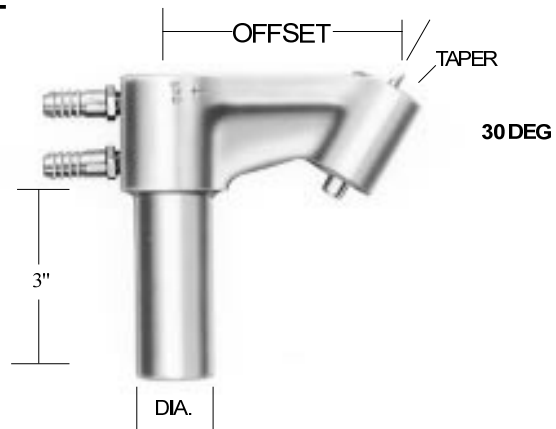
	Part Number	Offset	Shank Diameter
4 RW Taper (#1 MT)	T-6700	2	3/4
	T-6701		7/8
	T-6702		1
	T-6703		1-1/4
	T-6703-A		1-1/2
	T-6704	4	3/4
	T-6705		7/8
T-6706	1		
T-6707	1-1/4		
T-6707-A	1-1/2		
5 RW Taper (#2 MT)	T-6708	2	3/4
	T-6709		7/8
	T-6710		1
	T-6711		1-1/4
	T-6711-A		1-1/2
	T-6712	4	3/4
	T-6713		7/8
	T-6714		1
	T-6715		1-1/4
	T-6715-A		1-1/2



30 DEGREE STANDARD DUTY OFFSET

HOLDERS EJECTOR TYPE

	Part Number	Offset	Shank Diameter
4 RW Taper (#1 MT)	T-6800	3-1/2	3/4
	T-6801		7/8
	T-6802		1
	T-6803		1-1/4
5 RW Taper (#2 MT)	T-6804	3-1/2	3/4
	T-6805		7/8
	T-6806		1
	T-6807		1-1/4

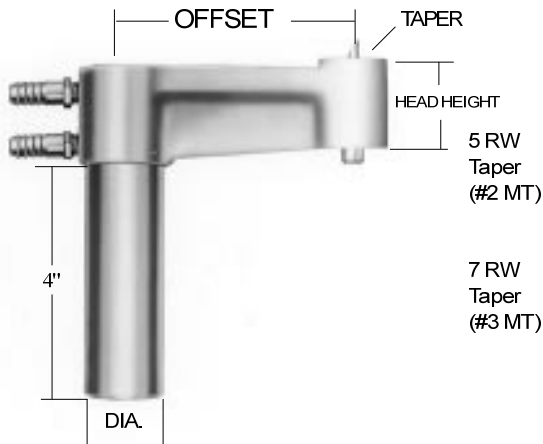


STANDARD OFFSET HOLDERS - EJECTOR



HEAVY DUTY OFFSET HOLDERS

HEAVY DUTY OFFSET HOLDERS

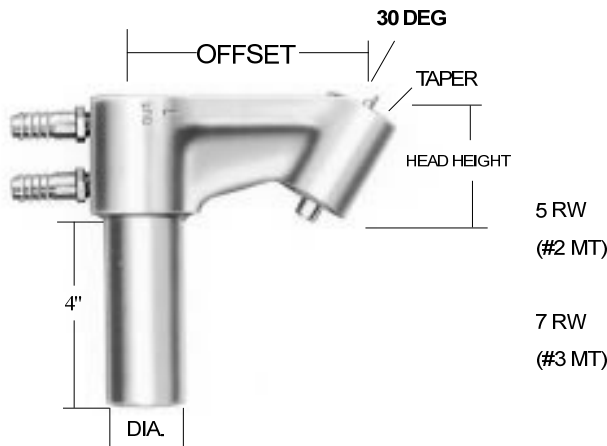


90 DEGREE HEAVY DUTY OFFSET HOLDERS EJECTOR TYPE

Part Number	Offset	Shank Diameter	Head Height
T-9021	2	1-1/4	1-7/8
T-9022		1-1/2	
T-9041	4	1-1/4	
T-9042		1-1/2	

7 RW
Taper
(#3 MT)

T-9023	2	1-1/4	2-1/4
T-9024		1-1/2	
T-9043	4	1-1/4	
T-9044		1-1/2	



30 DEGREE HEAVY DUTY OFFSET HOLDERS EJECTOR TYPE

Part Number	Offset	Shank Diameter	Head Height
T-9341	4	1-1/4	1-7/8
T-9342		1-1/2	

7 RW
(#3 MT)

T-9343	4	1-1/4	2-1/4
T-9344		1-1/2	

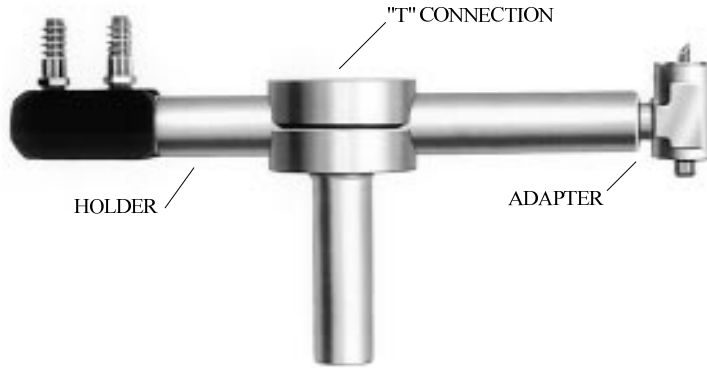
SPECIAL CAST AND COLD FORMED HOLDERS ARE AVAILABLE ON A MADE TO ORDER BASIS.

PLEASE CALL OR FAX WITH YOUR CUSTOM REQUIREMENTS



SPOTWELD, INC.

Excellence in Resistance Welding



UNIVERSAL TAPERED BARREL HOLDER ASSEMBLY

ASSEMBLY PART NO.	"T" CONNECTION				HOLDER			ADAPTER HEAD			
	Part No.	Hole Dia.	Shank Dia.	Shank Length	Part No.	Body Dia.	Taper	Part No.	Angle of Head	Taper to Holder	Taper to Electrode
T-1099	T-1159	7/8	7/8	4	T-5405	7/8	5 RW Taper (#2 MT)	T-1190	90 Deg.	5 RW Taper (#2 MT)	4 RW
T-1100	T-1160	1	1		T-5406	1		T-1190			4 RW
T-1125	T-1161	1-1/4	1-1/4		T-5407	1-1/4		T-1290			5 RW
T-1200	T-1163	1	1-1/4		T-5406	1		T-1130	4 RW		
T-1250	T-1164	1	1-1/2		T-5406	1		T-1230	5 RW		



HOLDER ADAPTER HEADS

MALE TAPER TYPE

Part Number	Degree of Angle	Holder Taper	Electrode Taper
T-1190	90	5 RW	4 RW
T-1290	90	Taper	5 RW
T-1130	30	(#2 MT)	4 RW
T-1230	30		5 RW

Straight Tapered Barrel holders are shown on page 31.



"T" CONNECTIONS FOR HOLDERS

Part Number	Hole Dia.	Shank Dia.	Shank Length
T-1159	7/8	7/8	4
T-1160	1	1	
T-1161	1-1/4	1-1/4	
T-1162	1-1/2	1-1/2	
T-1163	1	1-1/4	
T-1164	1	1-1/2	4
T-1165	1-1/4	1-1/2	

SPECIAL SHANK DIAMETERS ARE AVAILABLE.

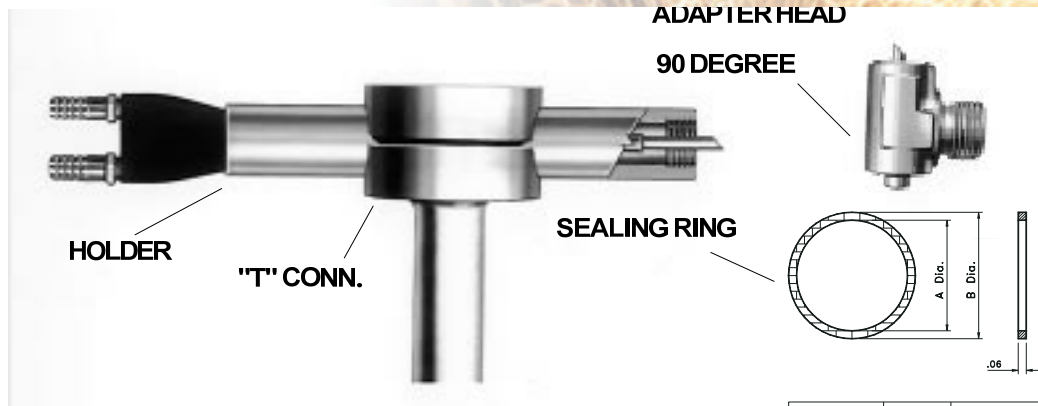
TAPERED BARREL HOLDER ASSEMBLIES



SPOTWELD, INC.

Excellence in Resistance Welding

THREADED BARREL HOLDER ASSEMBLIES



UNIVERSAL THREADED BARREL HOLDER ASSEMBLY

ASSEMBLY PART NO.	"T" CONNECTION				HOLDER			ADAPTER HEAD				
	Part No.	Hole Dia.	Shank Dia.	Shank Length	Part No.	Body Dia.	Thread	Part No.	Angle of Head	Holder Thread	Taper to Electrode	
T-2104	T-1160	1	1	4	T-5432-A	1	7/8-14	T-764	90 Deg.	7/8-14	4 RW	
T-2106	T-1160	1	1		T-5432-A	1		5 RW				
T-2114	T-1161	1-1/4	1-1/4		T-5433-A	1-1/4		4 RW				
T-2116	T-1161	1-1/4	1-1/4		T-5433-A	1-1/4		5 RW				
T-2128	T-1162	1-1/2	1-1/2		T-5435-A	1-1/2	1-14	T-778		30 Deg.	7/8-14	4 RW
T-2120	T-1162	1-1/2	1-1/2		T-5435-A	1-1/2	5 RW					
T-2105	T-1160	1	1		T-5432-A	1	4 RW					
T-2107	T-1160	1	1		T-5432-A	1	5 RW					
T-2115	T-1161	1-1/4	1-1/4		T-5433-A	1-1/4	4 RW					
T-2117	T-1161	1-1/4	1-1/4		T-5433-A	1-1/4	5 RW					
T-2129	T-1162	1-1/2	1-1/2		T-5435-A	1-1/2	1-14	T-779	1-14	7/8-14	4 RW	
T-2121	T-1162	1-1/2	1-1/2		T-5435-A	1-1/2	5 RW					

STRAIGHT THREADED BARREL HOLDERS



90 DEG

Part No.	Barrel Dia.	Barrel Length	Barrel Thread
T-5432-A	1	8	7/8-14
T-5433-A	1-1/4		
T-5434-A	1-1/2		
T-5435-A	1-1/2		

90 DEGREE HOLDER ADAPTER HEADS MALE THREAD TYPE



30 DEG

30 DEGREE HOLDER ADAPTER HEADS MALE THREAD TYPE

Part Number	Degree of Angle	Holder Thread	Electrode Taper
T-764	90	7/8-14	4 RW
T-766			5 RW
T-778		1-14	4 RW
T-780			5 RW

Part Number	Degree of Angle	Holder Thread	Electrode Taper
T-765	30	7/8-14	4 RW
T-767			5 RW
T-779		1-14	4 RW
T-781			5 RW



SPOTWELD, INC.

Excellence in Resistance Welding

SPRING LOADED HOLDERS



IMPROVE THE QUALITY OF PROJECTION TYPE WELDS AND WELDS ON MATERIALS WITH LIMITED PLASTIC RANGES

Tipaloy's low inertia (fast follow-up) holders are designed for easy maintenance. Adjustments for different pressure ranges can be made by simply changing the external spring. Taper changes are made by replacing the threaded adapter.

A solid electrical connection is ensured on all current carrying members through the use of clamp and bolted connections good for the life of the product. There are no sliding type connections which can create wear related problems.

These units can be ganged together for multiple spot or projection welding applications. For use with offset electrodes, add "NR" at the end of the part number for a non-rotating holder.

The T-3300 Series holders are supplied ready to use. Simply add your electrodes. Each unit is supplied with a DFF-600MCM-12" cable, a stationary and sliding water tube, and either an AP-H24B-7 (4 RW) or AP-H25B-7 (5 RW) threaded adapter. Other cables and adapters are available at an additional cost. Each unit is supplied with complete instructions for optimum use.

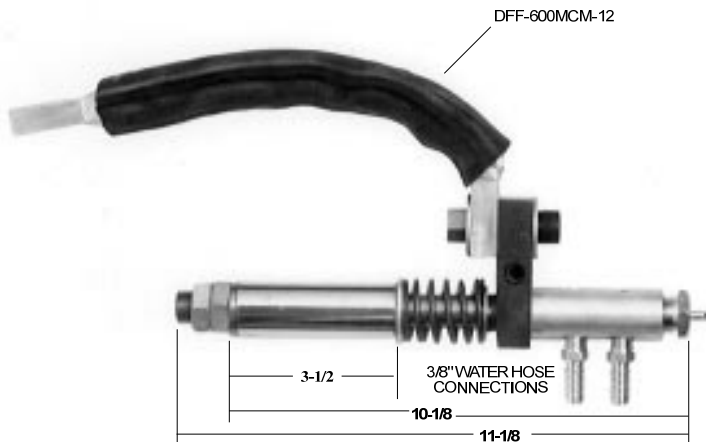
Please call Tipaloy for additional information on our low inertia holders or any of your resistance welding requirements.

SPRING LOADED HOLDERS

(LOW INERTIA)

Part Number	Barrel Dia.	Taper
T-3314-*	1	4 RW
T-3324-*	1-1/4	Taper
T-3334-*	1-1/2	(#1 MT)
T-3315-*	1	5 RW
T-3325-*	1-1/4	Taper
T-3335-*	1-1/2	(#2 MT)

* Specify one of the following:	
4	= 400 Pound Spring
7	= 700 Pound Spring
10	= 1,000 Pound Spring
NOTE - For a non-rotating unit for use with offset tips, add "NR" at the end of the part number when ordering.	



SPRING LOADED HOLDERS



SPOTWELD, INC.

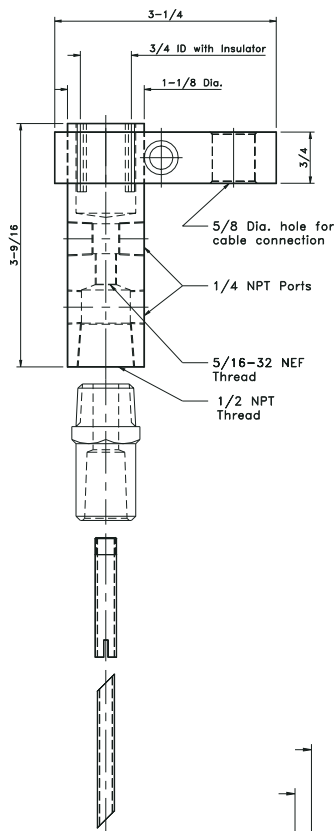
Excellence in Resistance Welding

WELD GUN CYLINDER HOLDERS

- *Designed for air and hydraulic guns and cylinders on resistance spot welding equipment.
- ***Individual supply of water and current** to each holder for better weld quality.
- ***Silver plated** barrel and clamp for higher conductivity and corrosion resistance.
- *Available for **4 RW, 5 RW, 6 RW,** and **7 RW** taper electrodes.
- *When ordering, specify assembly size as shown below.
- ***To complete your set-up,** order hose barbs, adapters, stationary water tubes and sliding tubes to suit your specific requirements.
- ***Replacement parts may be ordered individually**

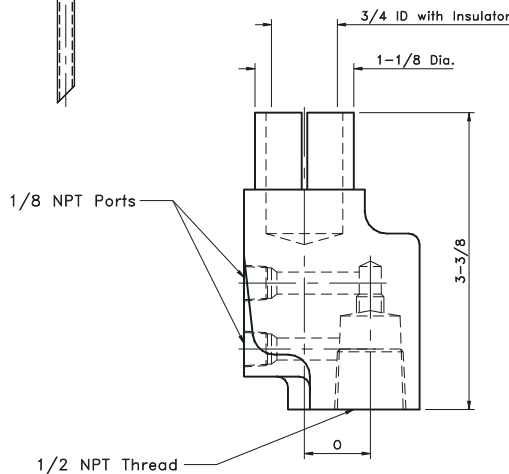
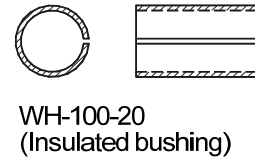
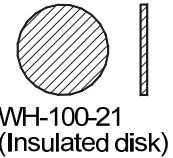
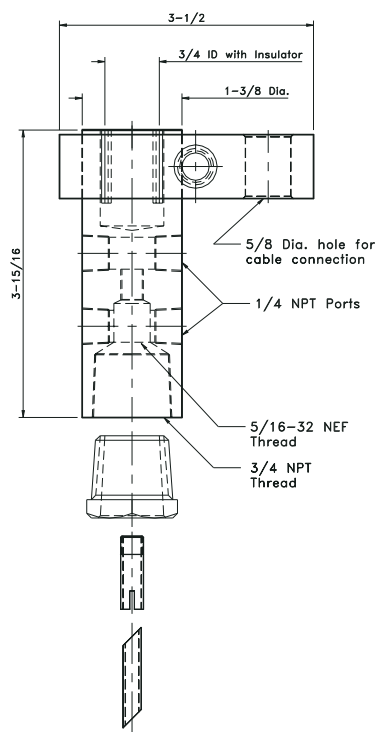
T-101

Barrel and Clamp Assembly
For 4 RW and 5 RW Electrodes



T-102

Barrel and Clamp Assembly
For 6 RW or 7 RW Electrodes



OFFSET HOLDERS

Part No.	Offset
	0
T-101-.50	1/2"
T-101-.75	3/4"
T-101-1.0	1"

OPTIONS

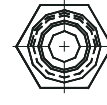
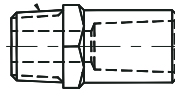
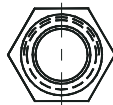
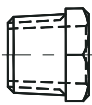
- *Additional offsets
- *#6 & #7 RW Tapers
- *3/4 NPT water connections



WELDING GUN CYLINDER HOLDER COMPONENTS

ELECTRODE ADAPTER SELECTION CHART

Adapter Length	T-101 size Adapters 1/2" NPT		T-102 Size Adapters 3/4" NPT	
	4 RW Taper	5 RW Taper	6 RW Taper	7 RW Taper
7/8	AP-H24B-7	AP-H25B-7	-	-
1	AP-H24B-8	AP-H25B-8	-	-
1-1/4	AP-H24B-10	AP-H25B-10	-	-
1-3/8	-	-	AP-H36D-11	AP-H37D-11
1-1/2	AP-H24B-12	AP-H25B-12	AP-H36D-12	AP-H37D-12
2	AP-H24B-16	AP-H25B-16	AP-H36D-16	AP-H37D-16
2-1/2	AP-H24B-20	AP-H25B-20	AP-H36D-20	AP-H37D-20
3	AP-H24B-24	AP-H25B-24	AP-H36D-24	AP-H37D-24

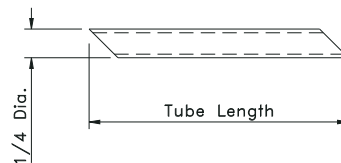
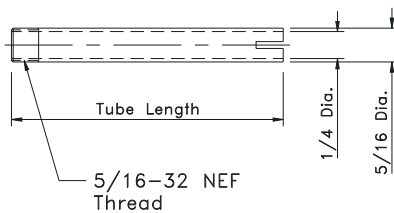


STATIONARY WATER TUBES

Part Number	Length
DS-5-3	3/4
DS-5-4	1
DS-5-5	1-1/4
DS-5-6	1-1/2
DS-5-8	2
DS-5-10	2-1/2

SLIDING WATER TUBES

Part Number	Length
DF-4-4	1
DF-4-5	1-1/4
DF-4-6	1-1/2
DF-4-8	2
DF-4-10	2-1/2
DF-4-12	3
DF-4-16	4



HOW TO ORDER:

T-101 Tubes for use with 4 RW Adapters -

ORDER STATIONARY TUBE AT LEAST 1/4" SHORTER THAN ADAPTER LENGTH.

T-101 Tubes for use with 5 RW Adapters -

ORDER STATIONARY TUBE 1/2" LONGER THAN ADAPTER FOR TUBE TO BE FLUSH.

T-102 Tubes for use with 6 RW or 7 RW Adapters -

ORDER STATIONARY TUBE 3/4" LONGER THAN ADAPTER FOR TUBE TO BE FLUSH.

SLIDING TUBES SHOULD BE ORDERED AT LEAST 1/2" LONGER THAN WATER HOLE DEPTH OF TIP BEING USED.

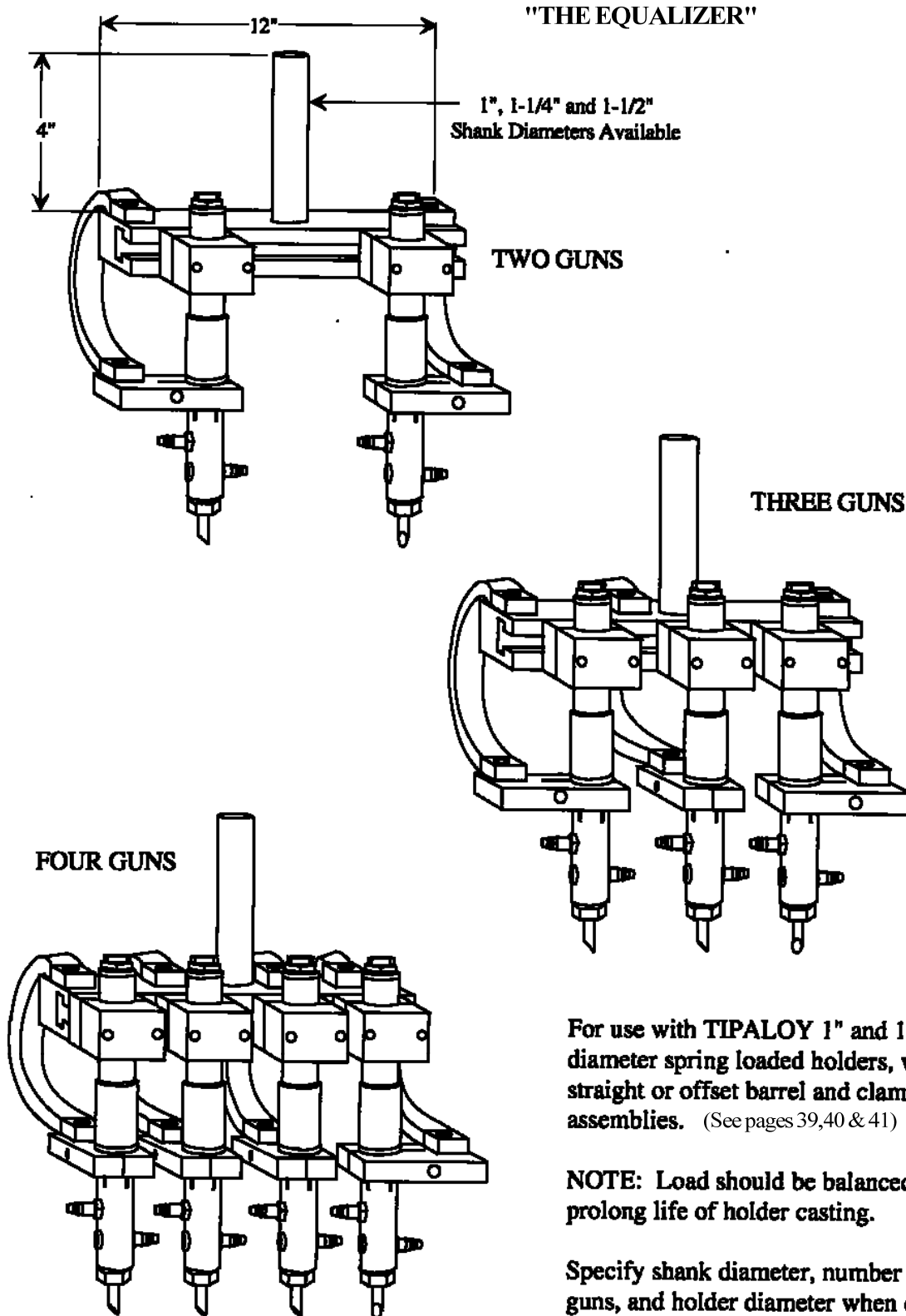
WELD GUN CYLINDER COMPONENTS



SPOTWELD, INC.

Excellence in Resistance Welding

T-3600 SERIES MULTI-SPOT HOLDER



TIPALOY EQUALIZER